

MIRROR/MEDICINE CABINET

Thank you for selecting American-Standard...the benchmark of fine quality for over 100 years.

To ensure that your installation proceeds smoothly—please read these instructions carefully before you begin.

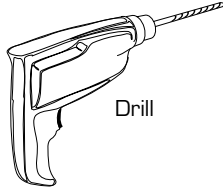
Certified to comply with ANSI A112.18.1

M968408D

Recommended Tools



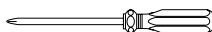
Tape Measure



Drill



Regular Screwdriver



Phillips Screwdriver



Tape

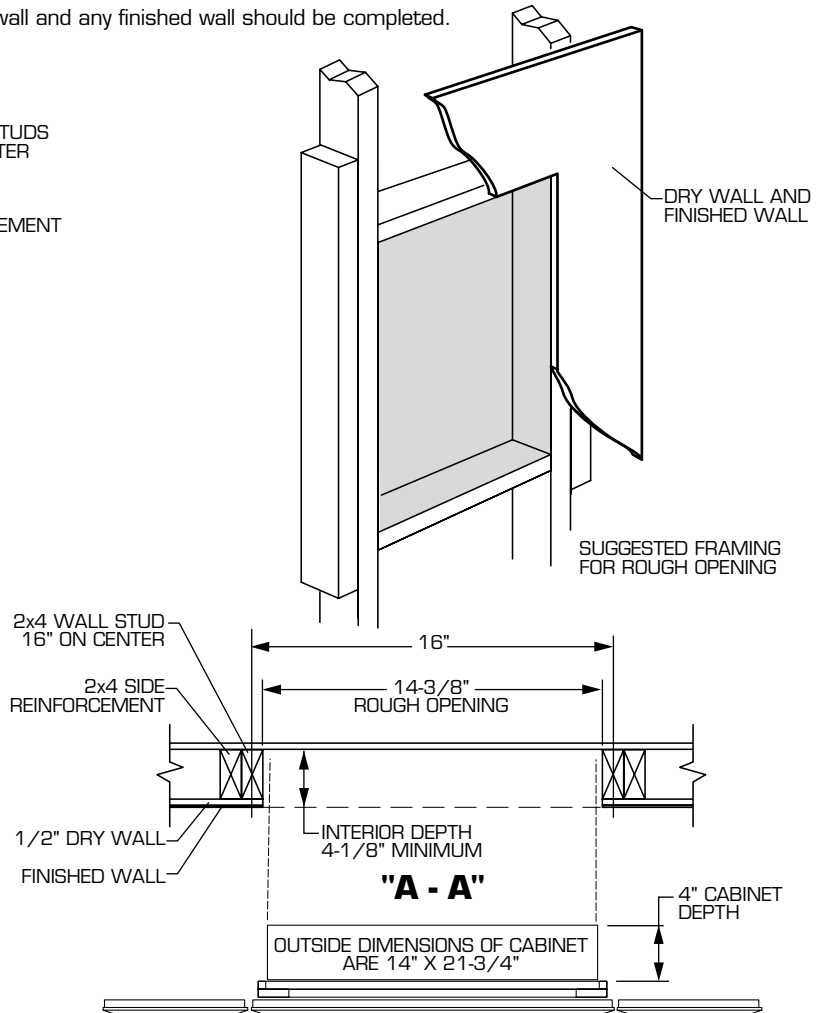
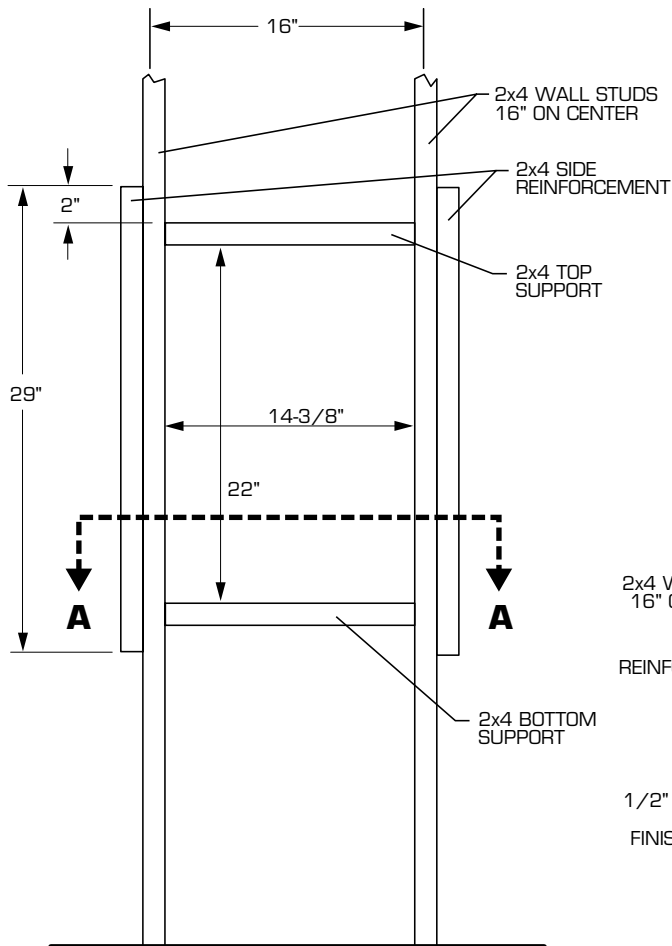


Level

1 REQUIRED WALL OPENING

Caution; Before cutting into any existing wall check that there is no interference with piping or electrical wiring.

- Ideally the MIRROR/MEDICINE CABINET can be installed between two wall studs on 16" centers. 2x4 reinforcement on either side are recommended. The required opening in the wall is 14-3/8" in width by 22" from top to bottom. If wall studs are not in desired location framing the rough opening will be required. See Illustrations below for rough opening and suggested framing.
- Determine the height and location and draw center lines to layout the wall opening.
- Before installing the medicine cabinet with mirror the dry wall and any finished wall should be completed.

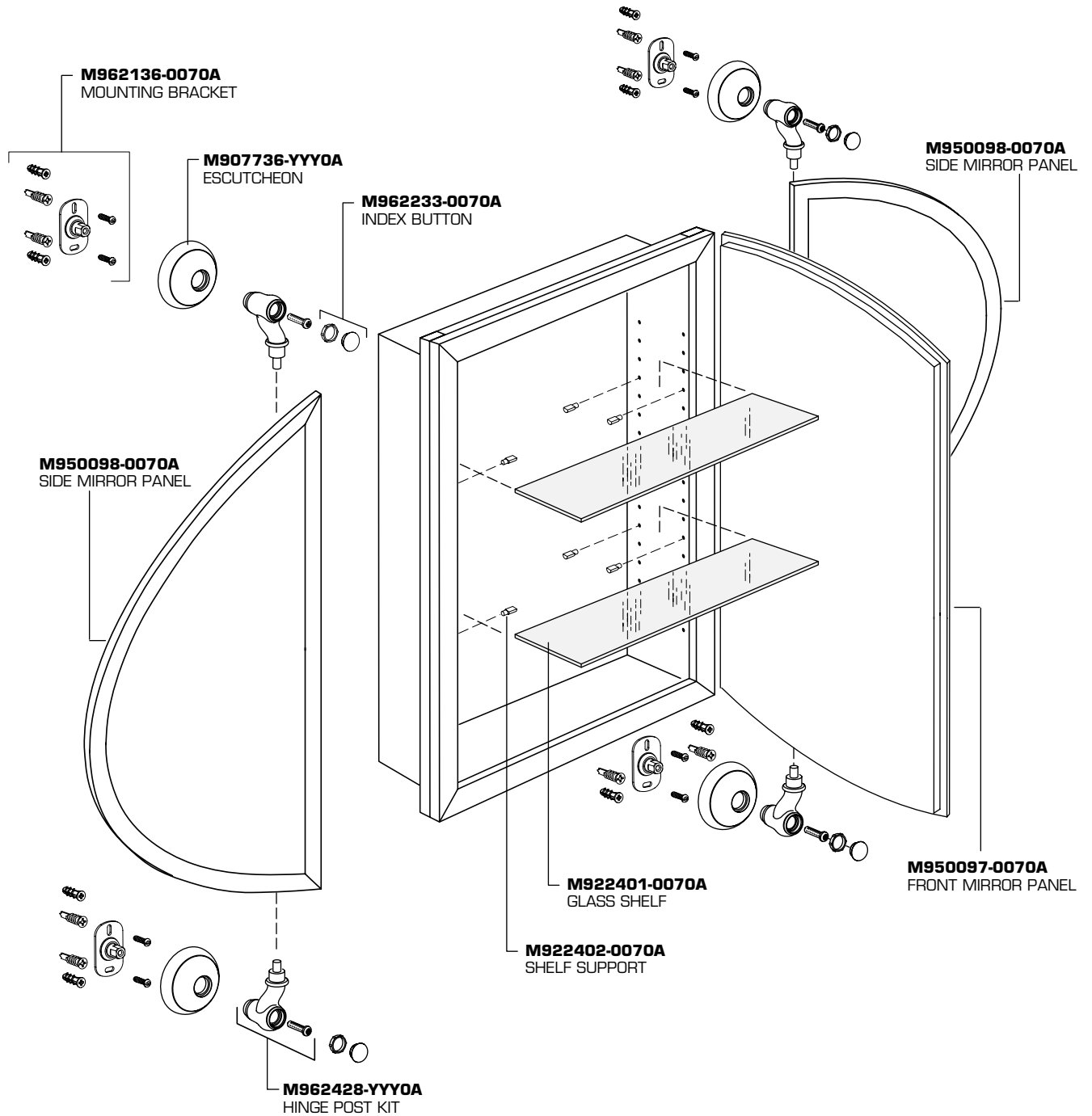


American Standard



MIRROR/MEDICINE CABINET MODEL NUMBER

6771



Replace the "YYY" with appropriate finish code

CHROME	002
SATIN	295



HOT LINE FOR HELP
For toll-free information and answers to your questions, call:
1-800-442-1902
Weekdays 8:00 a.m. to 8:00 p.m. EST
IN CANADA 1-800-387-0369 (TORONTO 1-905-306-1093)
Weekdays 8:00 a.m. to 7:00 p.m. EST

Product names listed herein are trademarks of American Standard Inc.
© American Standard Inc. 2003

M968408D

2 INSTALL MIRROR/MEDICINE CABINET

Note: Cabinet can be installed either right hand or left hand by rotating cabinet 180 degrees.

- Install MIRROR/MEDICINE CABINET into finished opening in wall. Check for level and that cabinet frame fits flush against finished wall. Shim as required to make level. (Figure A)
- Drill two 1/8" dia. pilot holes into top and bottom of cabinet. Secure cabinet to framing with wood screws. (Figure B)

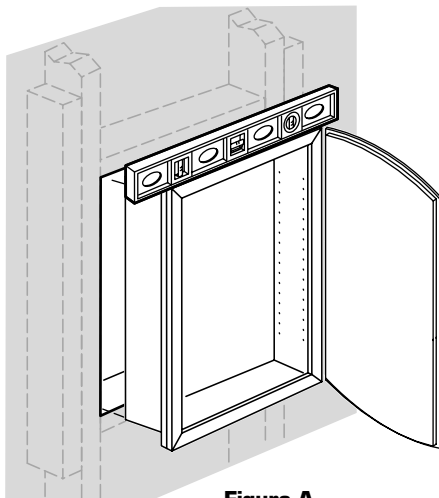


Figure A

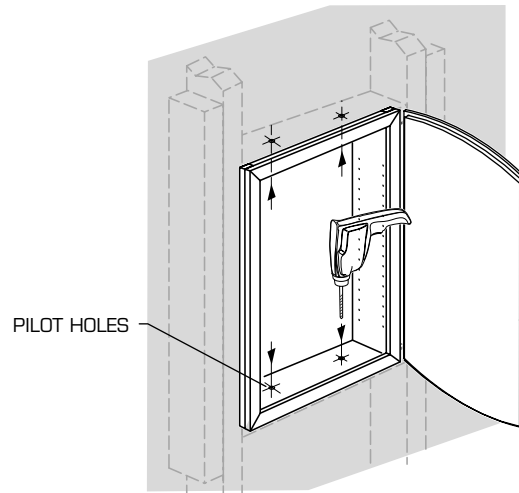


Figure B

3 INSTALL MOUNTING PLATES

Note: Refer to **Figure A** for use of **TEMPLATES (A & B)** or **DIMENSIONS** to locate the four MOUNTING PLATES (1).

- **To use TEMPLATES (A & B)**, to locate the center of each MOUNTING PLATE (1), cut the template out cutting on the dotted lines. Starting at lower left corner of cabinet frame, locate the template as illustrated. Tape into place and mark the three centers of the MOUNTING PLATE (1). Use TEMPLATE (A) for corners **1 & 3** and TEMPLATE (B) for corners **2 & 4** marking the MOUNTING PLATE (1) locations and mounting holes. Check with a level that the center to center measurements are level.
- **To use DIMENSIONS**, to locate the center of each MOUNTING PLATE (1) start at the lower left corner of cabinet frame. Measure as indicated to locate the center of each MOUNTING PLATE (1). Mark the centers for the left side MOUNTING PLATE (1) and use the same measurements to locate the centers of the right side. Check with a level that the center to center measurements are level.
- For best installation results it is recommended to secure MOUNTING PLATES (1) to reinforcement studs. No Anchors are needed. Drill small pilot holes for SCREWS (3).
- **For installations on drywall without reinforcement studs**, use DRYWALL ANCHORS (2) and SCREWS (3) for securing MOUNTING PLATE (1) to wall. Place #2 Phillips screwdriver or cordless screwdriver into recess of anchor. Press into drywall while turning the anchor clockwise until it is seated flush with the wall. Place MOUNTING PLATE (1) over DRYWALL ANCHOR (2) and insert SCREWS (3) with #2 Phillips screwdriver. See **FIGURE B** below. Secure MOUNTING PLATE (1) to wall with SCREWS (3).
- **For installations on tiled walls without reinforcement studs**, if TILE ANCHORS (4) and SCREWS (3) are used for securing MOUNTING PLATE (5), then drill two 1/4" diameter holes a minimum of 1-1/4" deep. Insert the two TILE ANCHORS (4) flush with face of the finished wall. Secure MOUNTING PLATE (1) to wall with SCREWS (3).

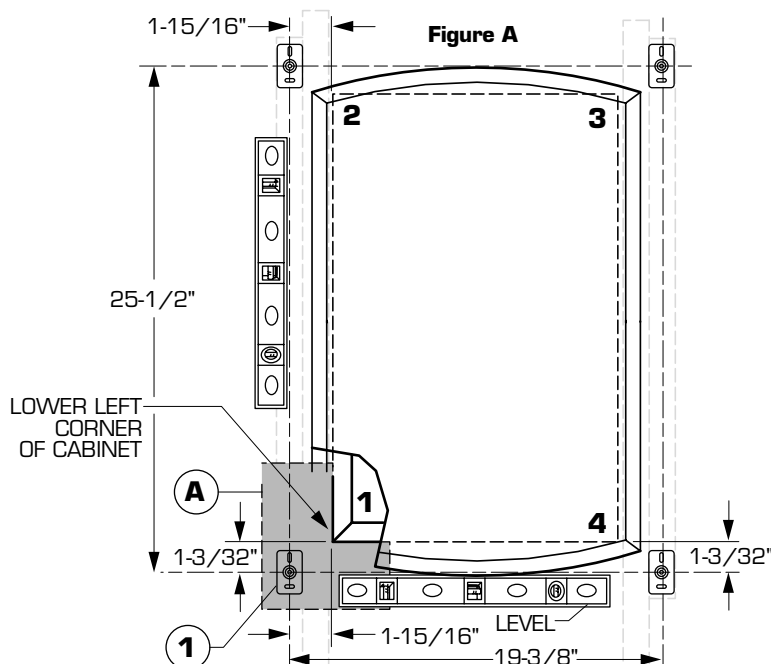


Figure A

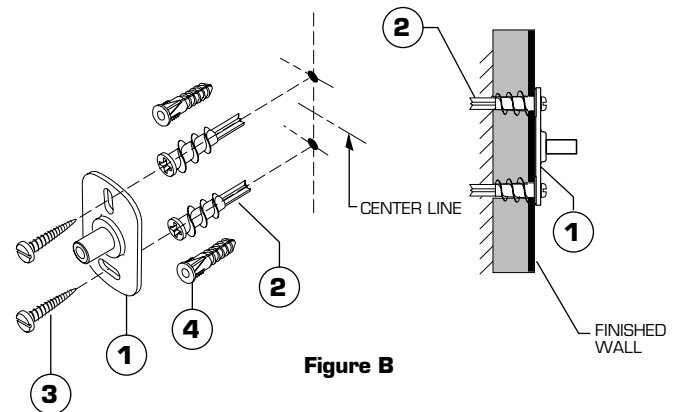


Figure B

NOTE; For best installation results use:

- No Anchors, Screws (3) directly secured to reinforcement studs
- TILE ANCHORS (4) for tile or plaster walls
- DRYWALL ANCHORS (2) for dry wall

4

INSTALL HINGES AND SIDE MIRRORS

- **Figure A:** Medicine cabinet and side mounting plates installed.
- **Figure B:** Install ESCUTCHEON (1a) and HINGE (2a) onto bottom MOUNTING PLATE (3a). Secure with MOUNTING SCREW (4). Do not fully tighten at this time.
- **Figure C:** Insert HINGE (2b) into top hinge hole of MIRROR (5). Place ESCUTCHEON (1b) onto upper MOUNTING PLATE (3b). Tape in place if necessary.
- **Figure D:** Hold MIRROR (5) with HINGE (2b) and install MIRROR (5) onto bottom HINGE (2a). Install upper HINGE (2b) into ESCUTCHEON (1b).
- **Figure E:** Secure upper hinge assembly with MOUNTING SCREW (4). The gap between the cabinet mirror and side mirror should be equal at the top and bottom. Align if necessary. Tighten both top and bottom MOUNTING SCREWS (4) to secure installation. Press in INDEX BUTTONS (6).
- Repeat the above steps to install the opposite end mirror.

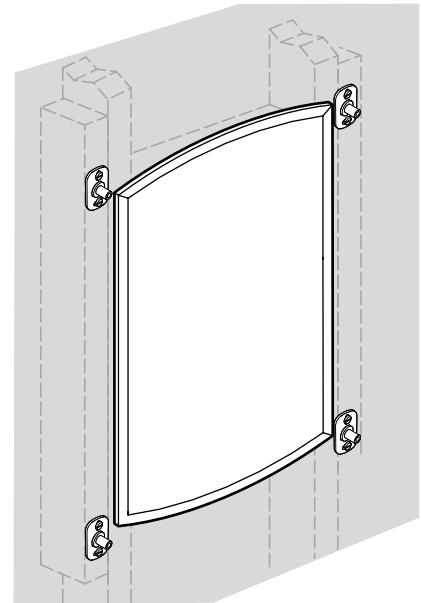
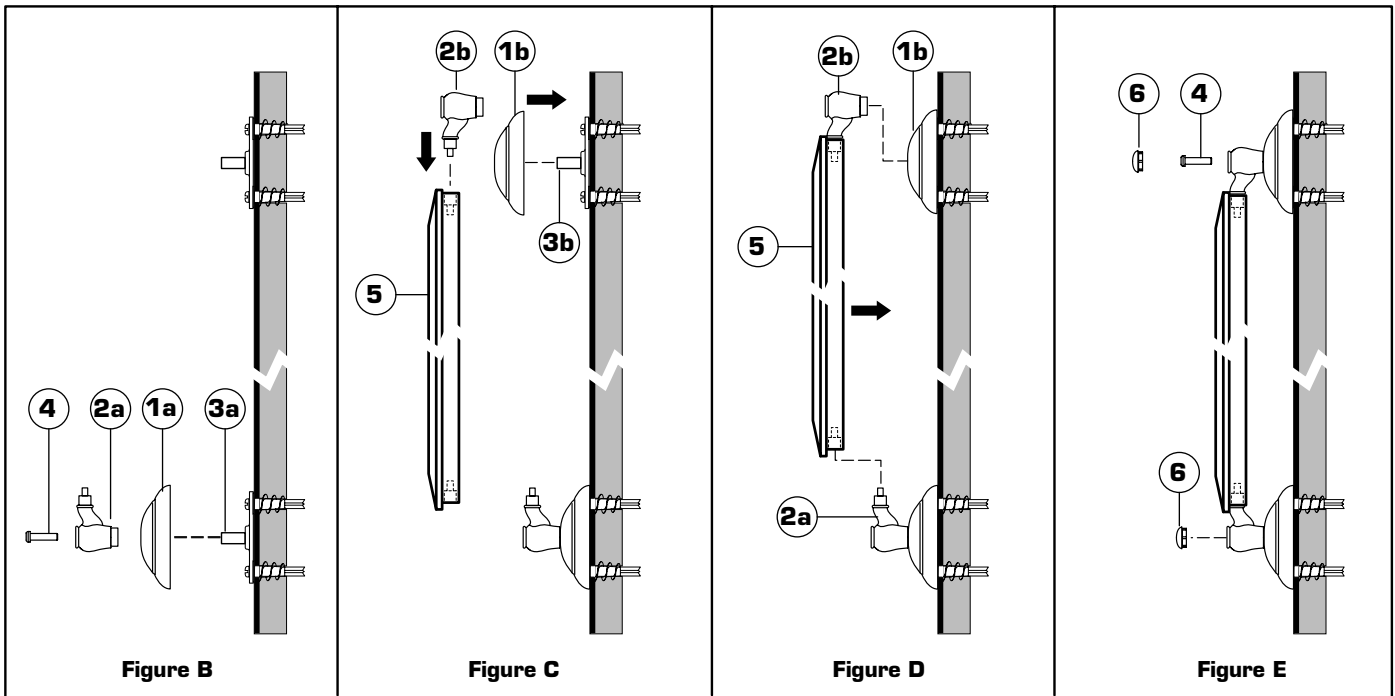


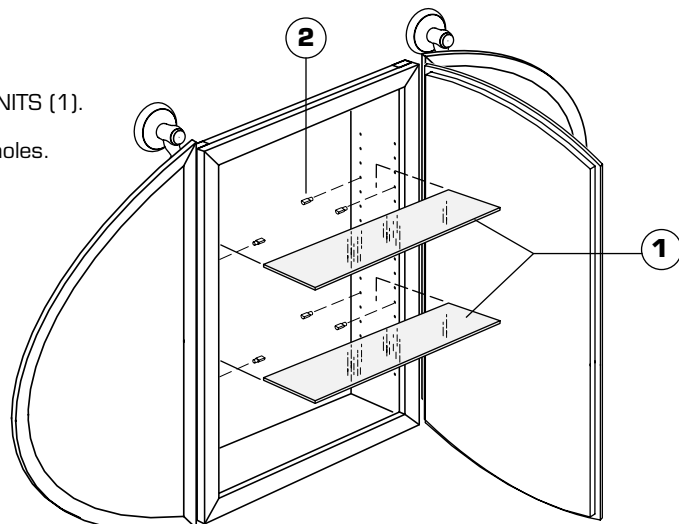
Figure A

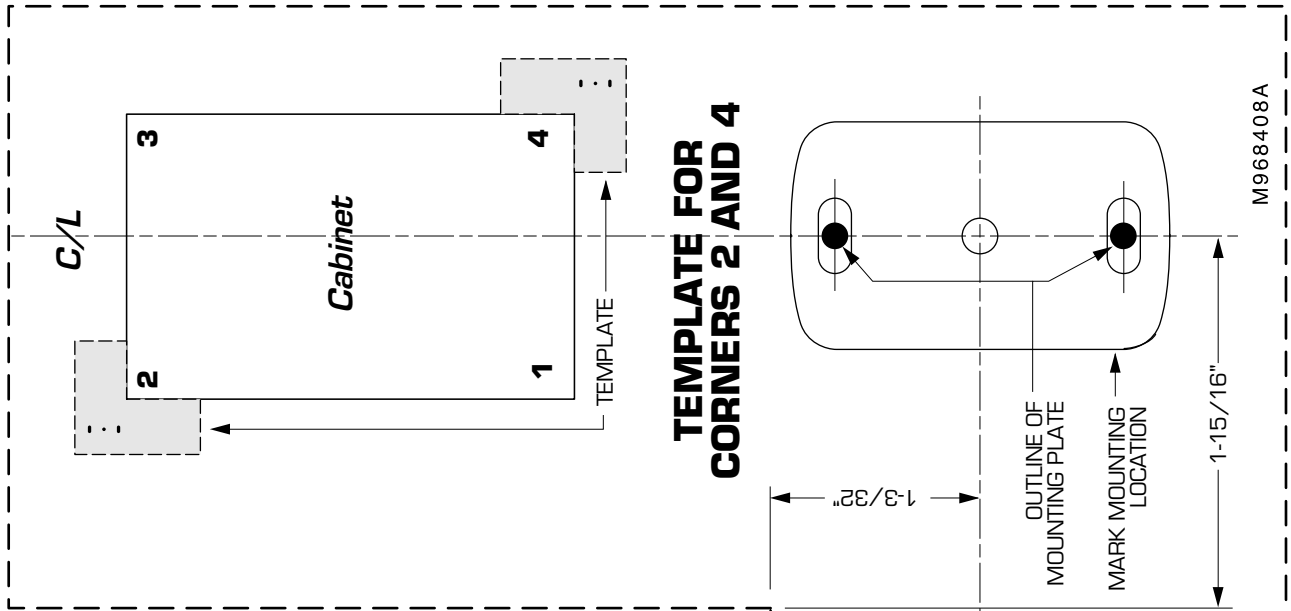


5

INSTALL GLASS SHELF

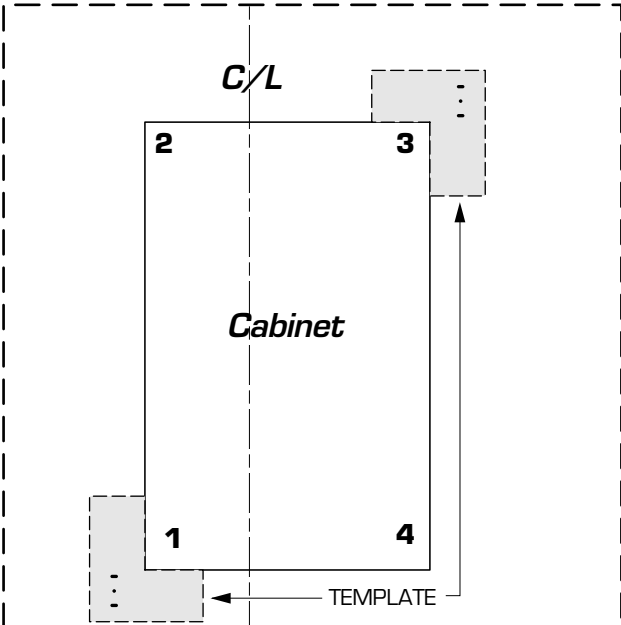
- Determine the desired location of the two GLASS SHELF UNITS (1).
- Insert four SHELF PINS (2) two on each side into the side holes.
- Rest GLASS SHELF (1) onto SHELF PINS (2).



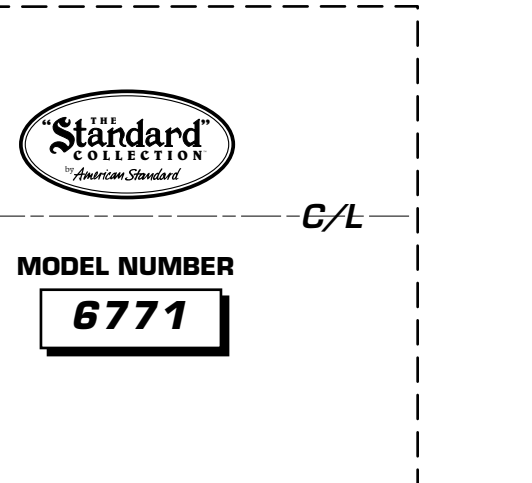
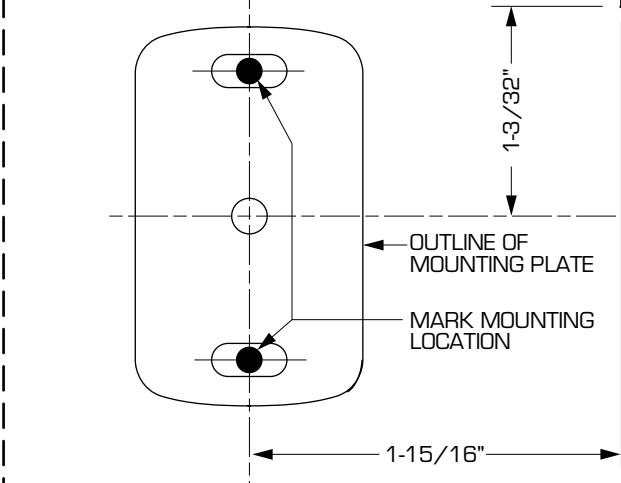
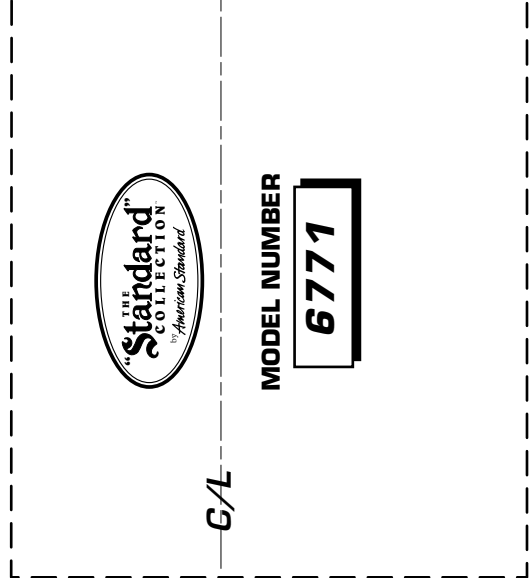


TEMPLATE FOR CORNERS 2 AND 4

M968408A



TEMPLATE FOR CORNERS 1 AND 3



M968408D