



# BIRTHDAY BATH™

## INSTALLATION INSTRUCTIONS

### BEFORE YOU BEGIN

#### NOTES

- Observe all local plumbing and building codes.
- Before you begin any work, carefully uncrate and inspect the new bath for any damage. If there is a problem, do not install the bath – report the problem to your dealer immediately.
- To prevent damage, return the bath to its packing carton until you are ready to begin actual installation. Cover the bath with a drop cloth or similar material during installation.



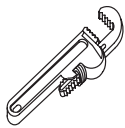
**CAUTION: Risk of personal injury.** Cast iron baths are extremely heavy. Wear appropriate safety equipment, and obtain help when lifting this product.

- These instructions cover installation of the Birthday Bath, Antique Bath Drain, and Ball and Claw Legs. Antique faucet, riser tubes, and wall-mount kit installation instructions are packed with the faucet.

### TOOLS AND MATERIALS RECOMMENDED



Safety Glasses



14" Pipe Wrench



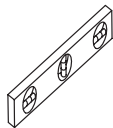
Tape or Rule



Plumbers Putty



Phillips Screwdriver



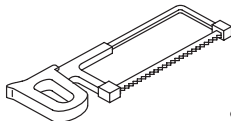
Level



Square



Pliers

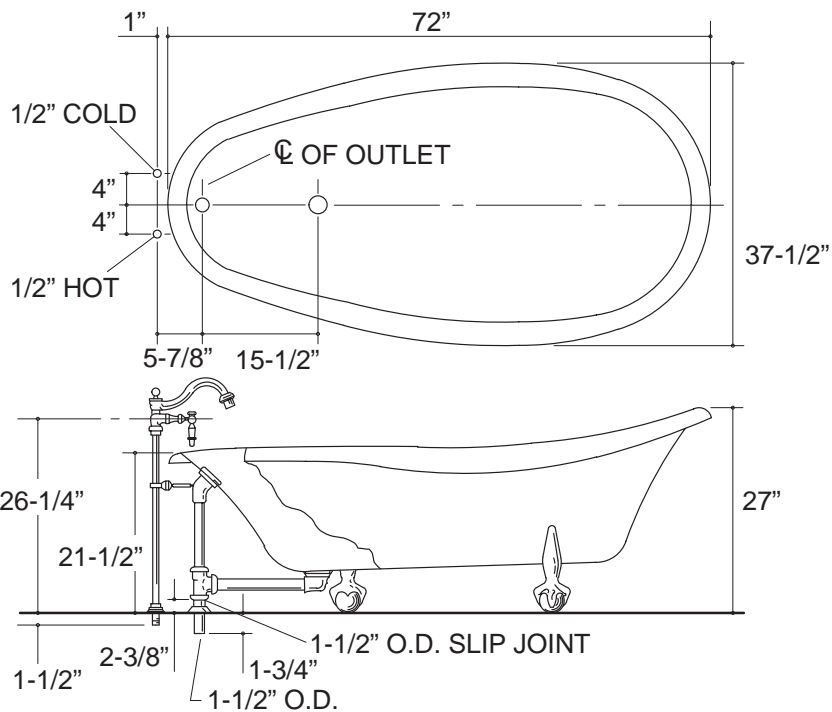


Hacksaw

- Safety Shoes

### TOOLS AND MATERIALS OPTIONAL

- Conventional woodworking tools
- Wall and floor coverings, as necessary
- Water-resistant subfloor sealant



**Note:** No change in measurements if connected with K-106 Antique Bath Drain, as illustrated.

## SITE PREPARATION

- Shut off the hot and cold water supplies.
- **For replacement installations:** Remove the old bath.
- Check the subfloor and make repairs as needed. Make sure the subfloor is level. Apply water-resistant sealant to the subfloor to reduce the risk of water damage.

## SITE PREPARATION, CONT.

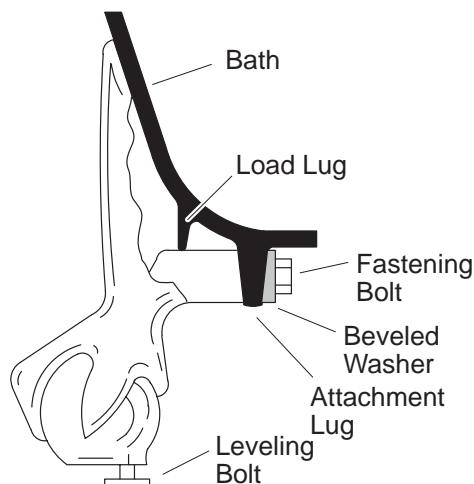
- Your new Birthday Bath can be installed in a free-standing or wall-mount configuration depending on your faucet choice. Refer to the installation instructions packed with your faucet.
- Make sure the drain location corresponds to the bath outlet.
- Install or relocate supplies as necessary to conform to the roughing-in dimensions. Temporarily cap the water supplies.
- Install the finish flooring and wall materials.

## BATH INSTALLATION

- Before installing your new bath, make sure all construction is completed.
- Remove the bath from the packing carton and place on a throw rug or other protective floor covering to prevent damage to the bath or floor.

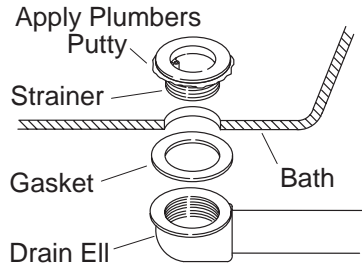
### ATTACH BALL AND CLAW LEGS

- Lift outlet end of the bath until sufficient clearance is obtained to attach the two front legs.
- Insert fastening bolt through the beveled washer. Make sure the tapered edge of the washer faces upward.
- Align the leg with the attachment lug making sure the load lug is resting on the flat of the interior leg.
- Insert fastening bolt and tighten.
- Repeat procedure for remaining legs.
- Place the bath into position and adjust the leveling bolts to ensure a level installation.

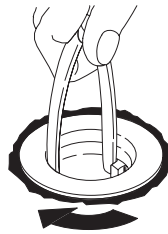


**INSTALL DRAIN**

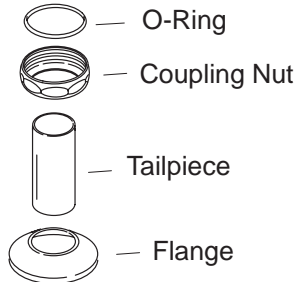
- Apply a ring of plumbers putty around the underside of the strainer.
- Set the gasket between the drain ell and the bottom of the bath.
- Turn the strainer into the drain ell.



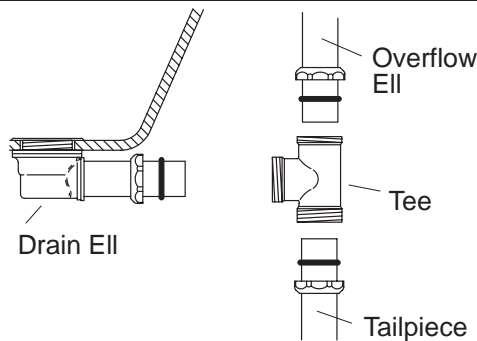
- Make sure the drain ell tube is facing outward from the front of the bath. Tighten the drain ell securely by inserting the pliers handles into the top of the strainer as shown. The handles will catch on the bosses inside the strainer as the strainer is turned into the drain ell.
- Remove any excess sealant.



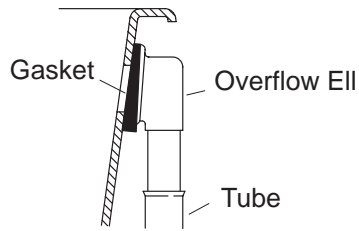
- Insert the tailpiece into the trap inlet. The tailpiece may need to be cut for proper fit. 1" to 2" of the tailpiece should fit inside the trap.
- Slip the flange, coupling nut, and O-ring over the tailpiece.



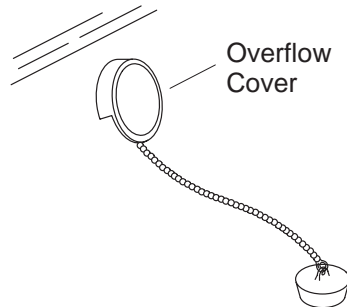
- Assemble the tee to the tailpiece using the O-ring and coupling nut.
- Assemble drain ell to tee using the O-ring and coupling nut.
- Assemble the overflow ell to the tee using the O-ring and coupling nut.



- Attach the flat side of gasket to the overflow ell. Make sure that the tapers on the gasket face toward the inside of the bath.
- Align the overflow ell with the overflow hole in the bath.



- From inside the bath, assemble the overflow cover to the overflow ell using screws provided.
- Assemble the chain stopper to the overflow cover.



- Install the Antique Bath Faucet and riser tubes or wall-mount kit according to the installation instructions packed with the faucet.

## CLEAN-UP AFTER INSTALLATION

- When cleaning up after installation, **do not use abrasive cleansers** as they may scratch and dull the bath surface. Use warm water and a liquid detergent to clean the surface.
- Stubborn stains, paint, or tar can be removed with turpentine or paint thinner. **Do not allow cleaners containing petroleum distillates to remain in contact with the bath surface for long periods of time.** Plaster can be removed by scraping with a wood edge. Do not use metal scrapers, wire brushes, or other metal tools. A powder-type detergent may be used on a damp cloth to provide mild abrasive action to the residual plaster.

## CARE AND CLEANING

Quality Kohler enamel is fused to red-hot cast iron. The resulting glass-hard surface and lustrous depth of color is beautiful to look at, easy to care for, and more resistant to scratching than plastic materials. As with any smooth surface, however, **avoid using abrasive cleansers** on your cast iron bath. Abrasive cleansers will scratch and dull the surface over time.

## LIFETIME LIMITED WARRANTY – CAST IRON

Kohler warrants this cast iron product to be free of defects in material and workmanship during normal residential use for as long as the original purchaser owns his/her home. Gloss reduction, scratching, staining or alkaline etching, of the finish over time due to use, cleaning practices or water or atmospheric conditions are not manufacturing defects but are indicative of normal wear and tear. This warranty is applicable to Kohler cast iron product manufactured after February 10, 2000.

If a defect is found in normal residential use, Kohler Co. will, at its election, repair, replace or make appropriate adjustment. Damage caused by accident, misuse, or abuse is not covered by this warranty. Improper care and cleaning will void the warranty. Proof of purchase (original sales receipt) must be provided to Kohler with all warranty claims. Kohler Co. is not responsible for labor charges, installation, or other consequential costs. In no event shall the responsibility of Kohler exceed the purchase price of the product.

To obtain warranty service, contact Kohler Co. through your Dealer or Plumbing Contractor, or by writing: Kohler Co., Attn: Customer Service Department, 444 Highland Drive, Kohler, WI 53044, USA, or by calling **1-800-4-KOHLER** from within the USA, **1-800-964-5590** from within Canada, or **001-877-680-1310** from within Mexico. Please be sure to provide all pertinent information regarding your claim, including a complete description of the problem, the product, model number, color and the date the product was purchased. Also include the name of your contractor or distributor and your original invoice.

If the product is used commercially, Kohler warrants the product to be free from defects in material and workmanship for one (1) year from the date of purchase as shown on the invoice or receipt with all other terms of this warranty applying except duration. **Any implied warranties for product used commercially, including that of merchantability or fitness for a particular purpose, are expressly limited in duration to the duration of the one year express warranty.**

**To the extent permitted by law, Kohler Co. disclaims all implied warranties including merchantability and fitness for a particular purpose. Kohler Co. disclaims any liability for special, incidental, or consequential damages.** Some states/provinces do not allow limitations on how long an implied warranty lasts or the exclusion or limitation of special, incidental, or consequential damages, so these limitations and exclusions may not apply to you. This warranty gives you specific legal rights. You may also have other rights which vary from state/province to state/province. This warranty is to the original purchaser only and excludes product damage due to installation error, product abuse, or product misuse, whether performed by a contractor, service company, or yourself. This warranty applies only for Kohler cast iron product installed in the United States of America, Canada and Mexico.

**This is our exclusive written warranty.**

## CALL US FOR HELP - 1-800-4-KOHLER

### REQUESTING SERVICE

Here's what you need to do if you require service:

First review the installation instructions to ensure correct installation. If you are unable to correct the problem, call our Customer Service Department for direct help. Dial **1-800-4-KOHLER**.



