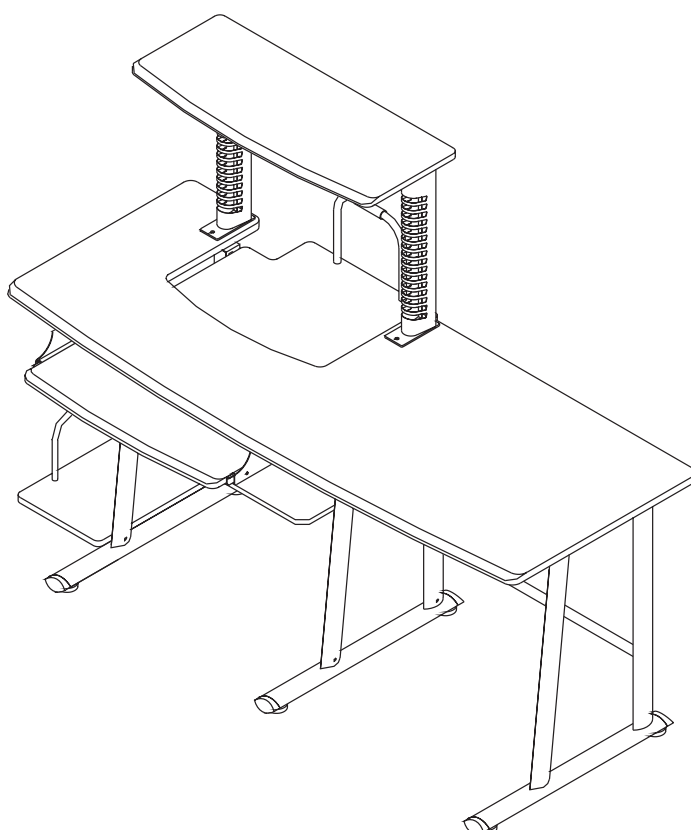




**Tiffany Industries™**  
A MAYLINE GROUP COMPANY

# Model No. 990

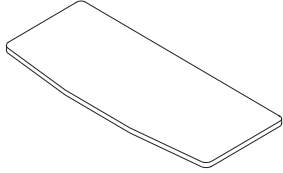
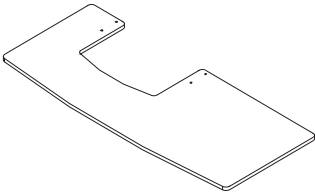
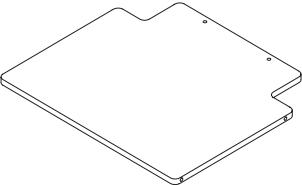
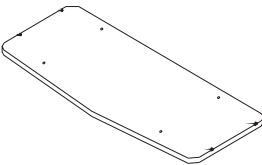
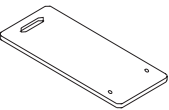
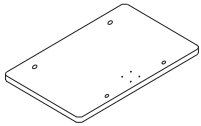
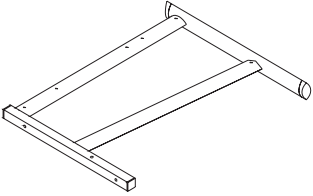


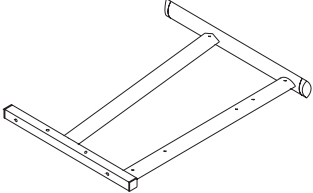
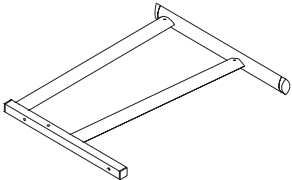
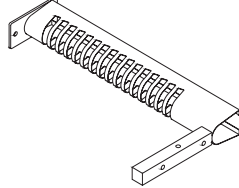
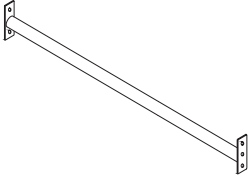
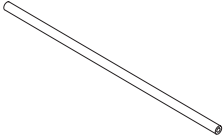
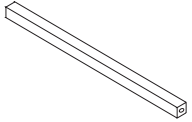
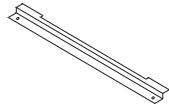
# FORMAT XL

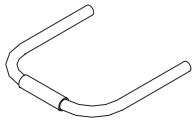
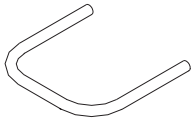
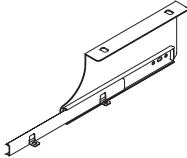
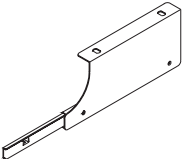
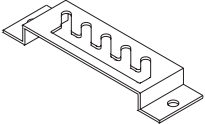
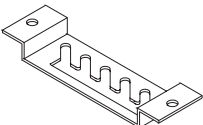
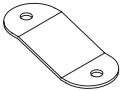
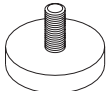
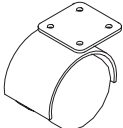
**ASSEMBLY INSTRUCTIONS**

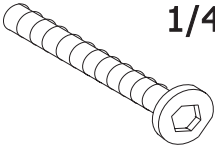
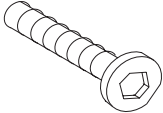
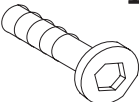
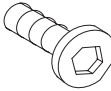
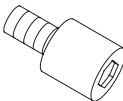
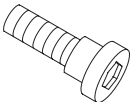

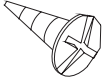

**CALL 1-800-822-8037 FOR ASSISTANCE**

# PARTS LIST

Name	Part	Qty.
A		1
B		1
C		1
D		1
E		1
F		1
G		1

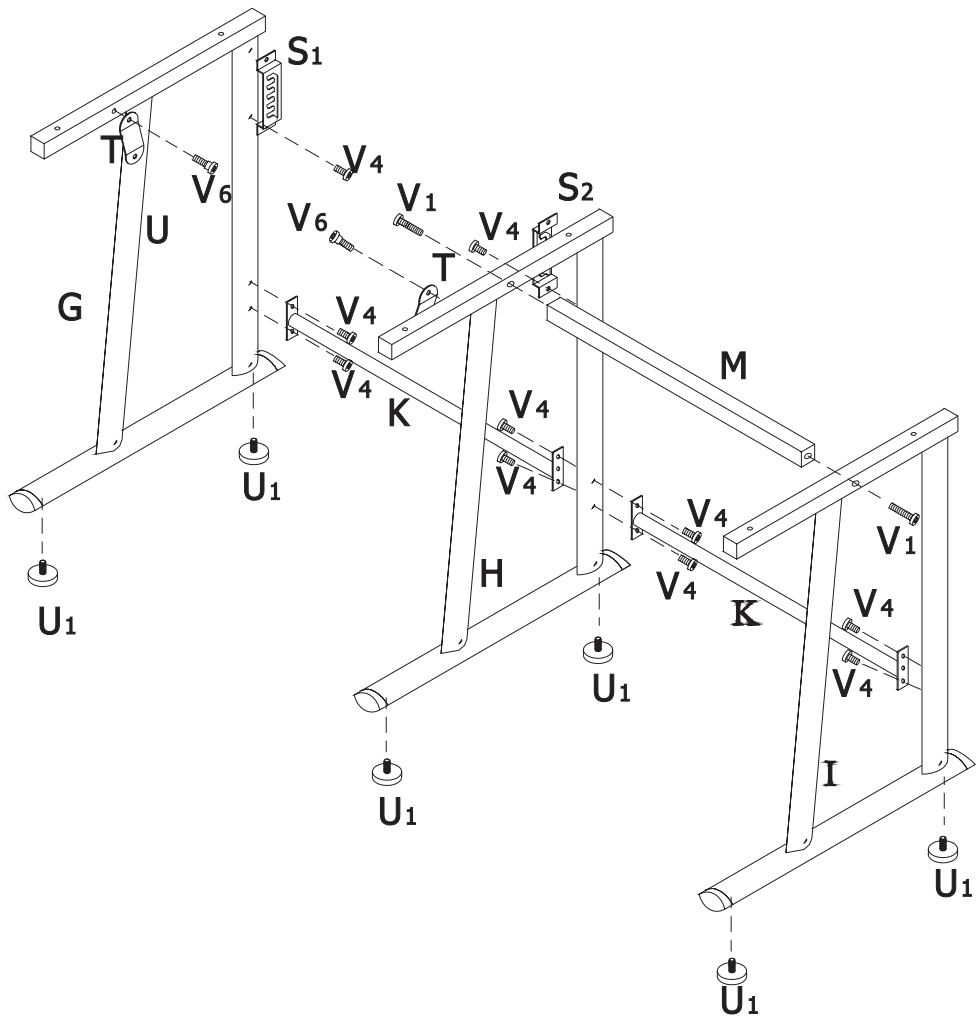
Name	Part	Qty.
H		1
I		1
J		2
K		2
L		1
M		1
N		2

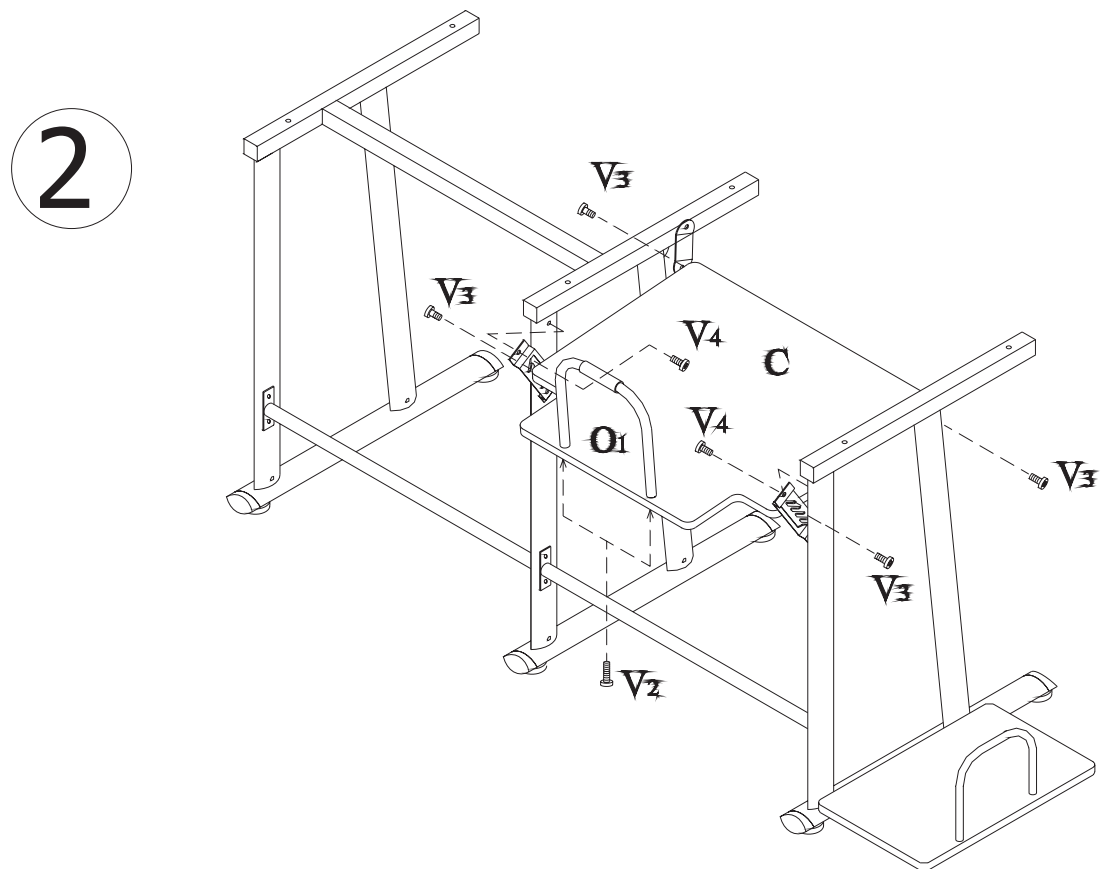
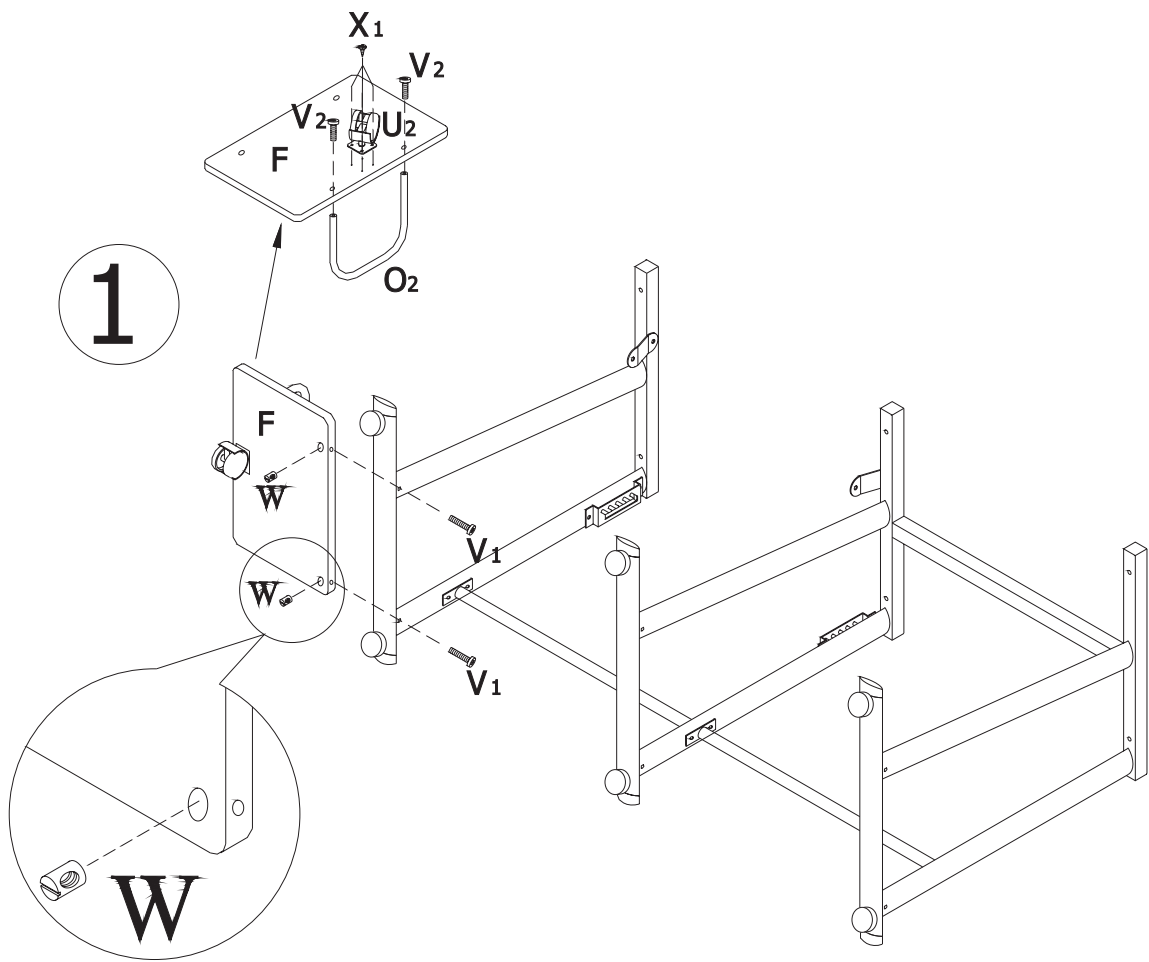
Name	Part	Qty.
Q <sub>1</sub>		1
Q <sub>2</sub>		1
R <sub>1</sub>		1
R <sub>2</sub>		1
S <sub>1</sub>		1
S <sub>2</sub>		1
T		2
U <sub>1</sub>		6
U <sub>2</sub>		1

Name	Part	Qty.
V <sub>1</sub>	1/4"*60 	5
V <sub>2</sub>	1/4"*35 	17
V <sub>3</sub>	1/4"*20 	5
V <sub>4</sub>	1/4"*12 	25
V <sub>5</sub>		2
V <sub>6</sub>		3
W		2
X <sub>1</sub>	M4*10 	9
Z		1

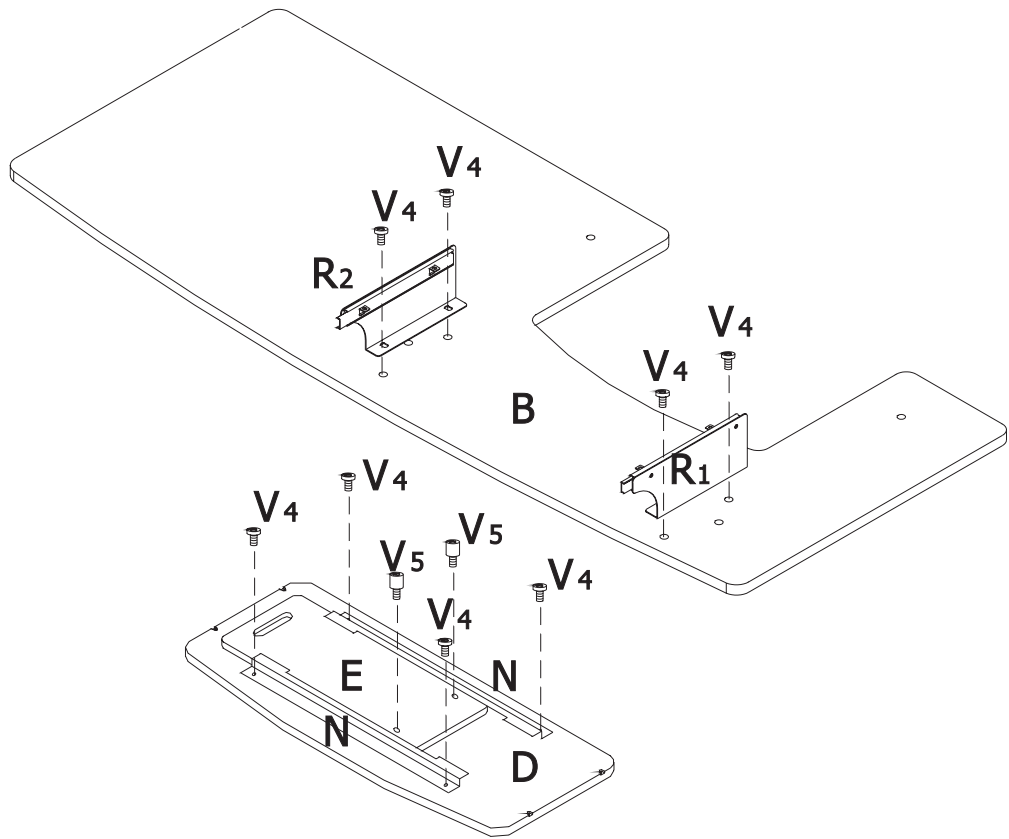
<b>V1</b>	1/4"*60	
<b>V2</b>	1/4"*35	
<b>V3</b>	1/4"*20	
<b>V4</b>	1/4"*12	
<b>V5</b>		
<b>V6</b>		
<b>X1</b>	M4*10	

**1**

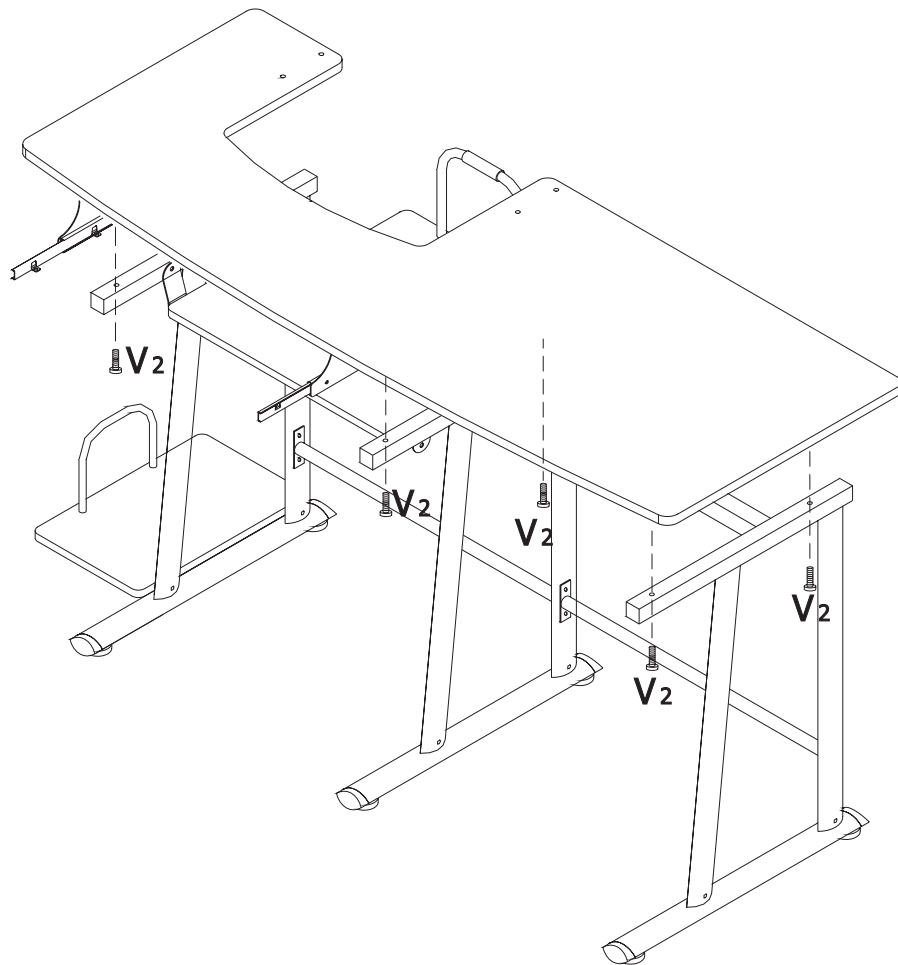




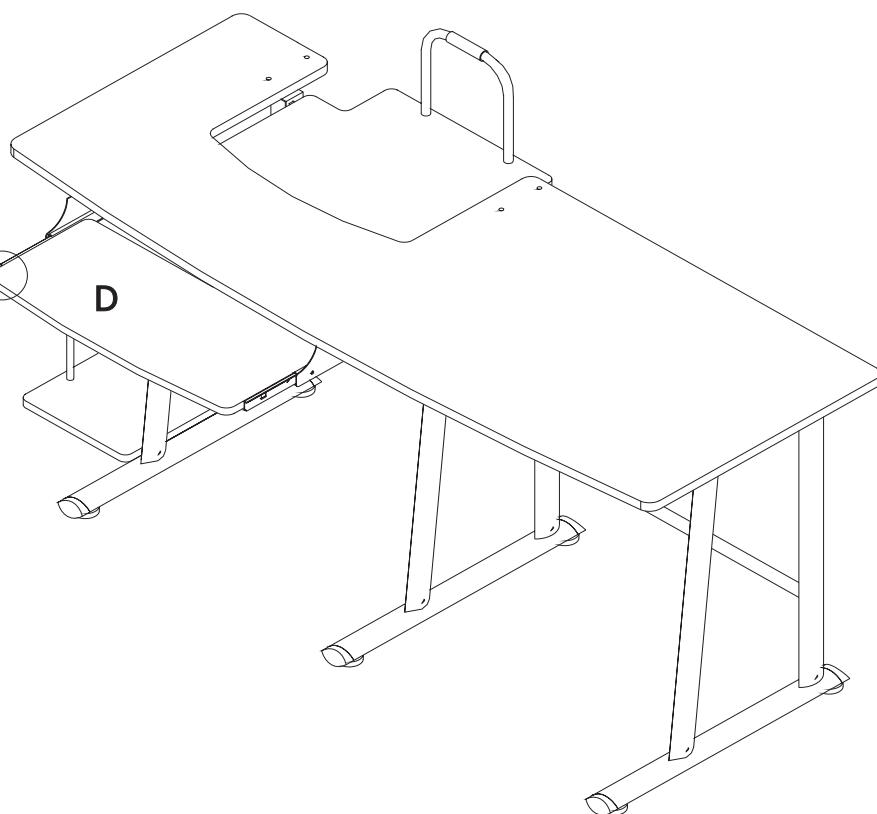
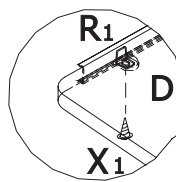
3



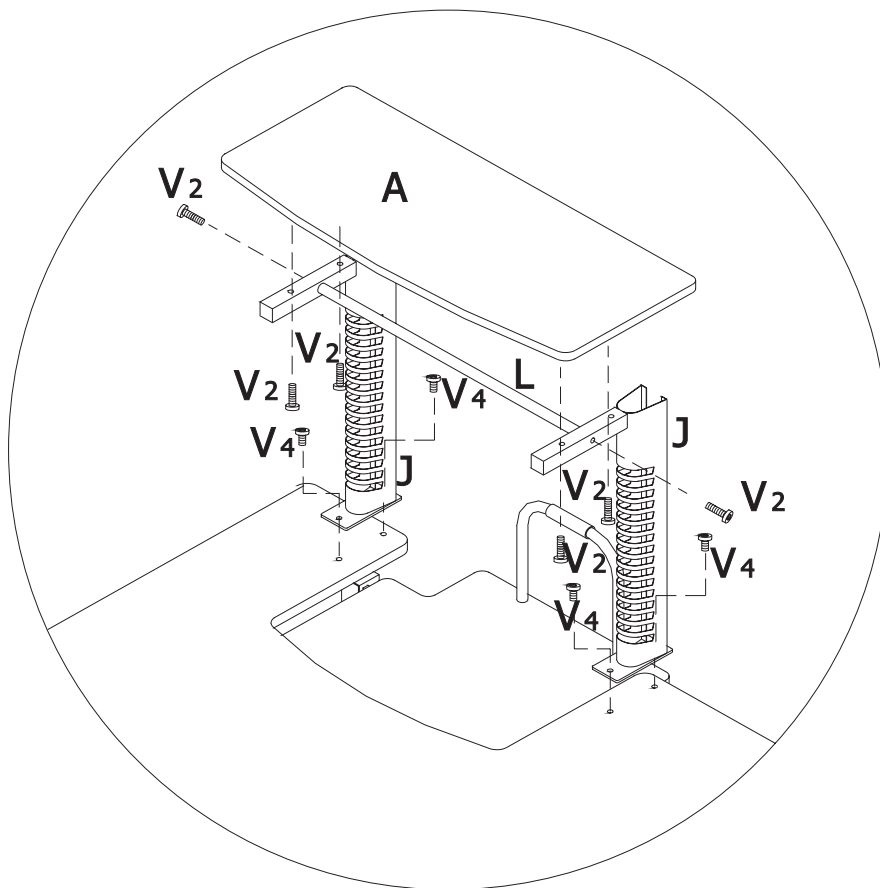
4



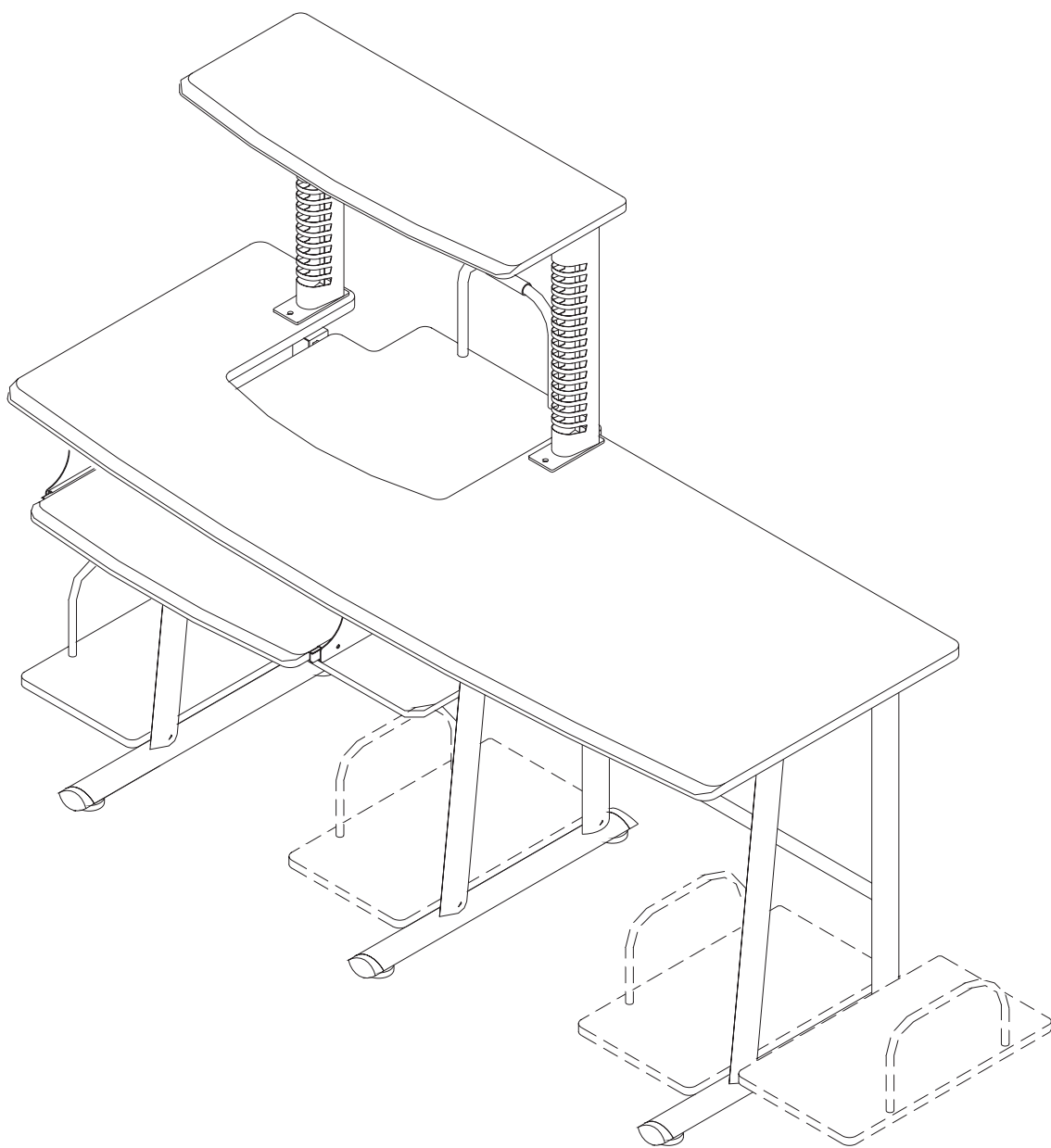
5



6



7



**Do not use this desk as a step !**