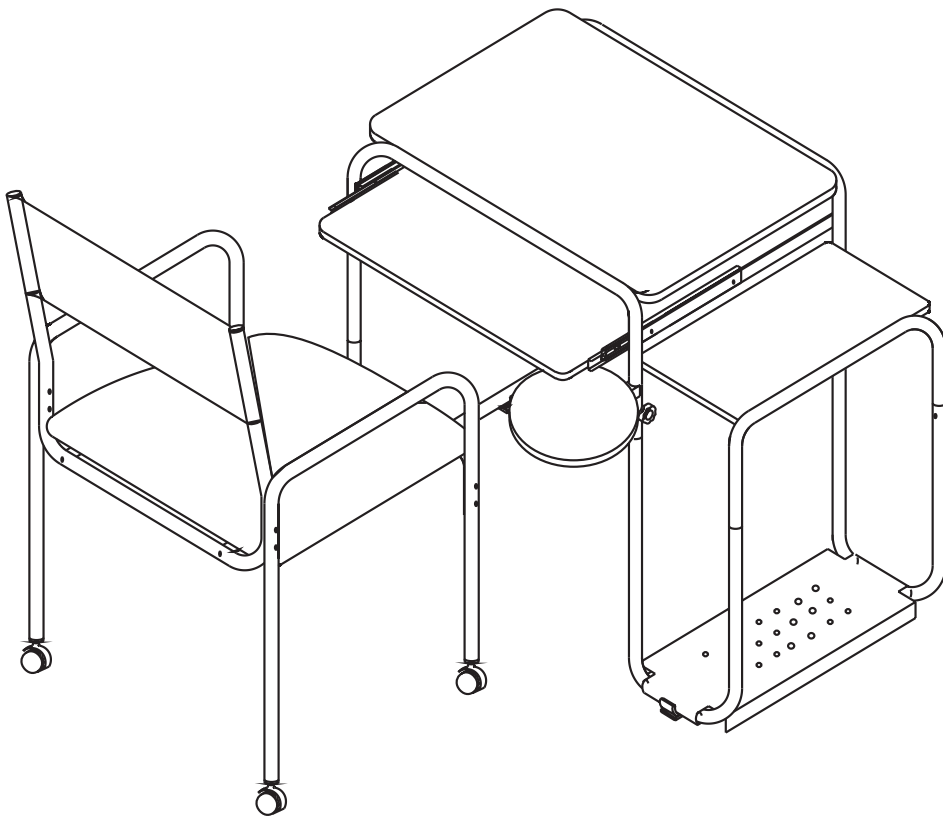




Tiffany Industries™
A MAYLINE GROUP COMPANY

Model No.975


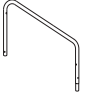

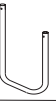
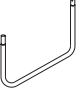
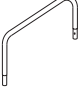
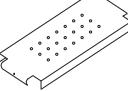
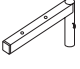


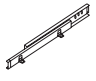
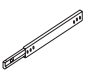

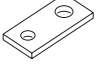


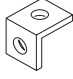
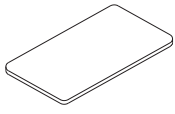
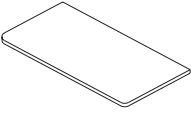
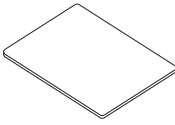
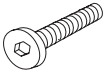
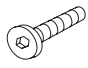



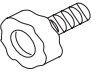



Desk/Chair Combo Set








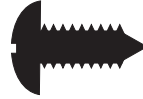
ASSEMBLY INSTRUCTIONS

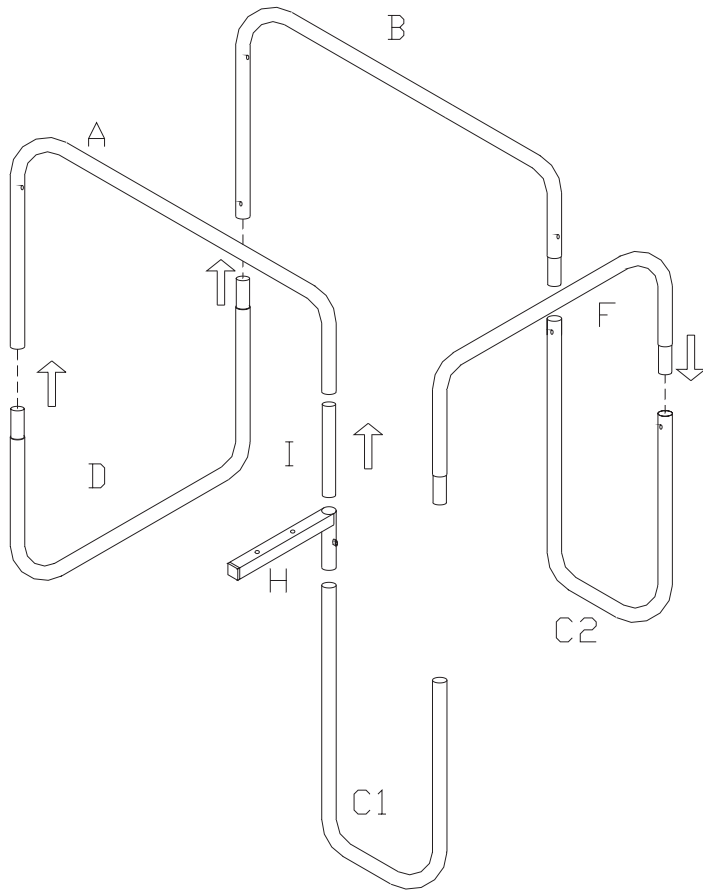
CALL 1-800-822-8037 FOR ASSISTANCE

PARTS LIST

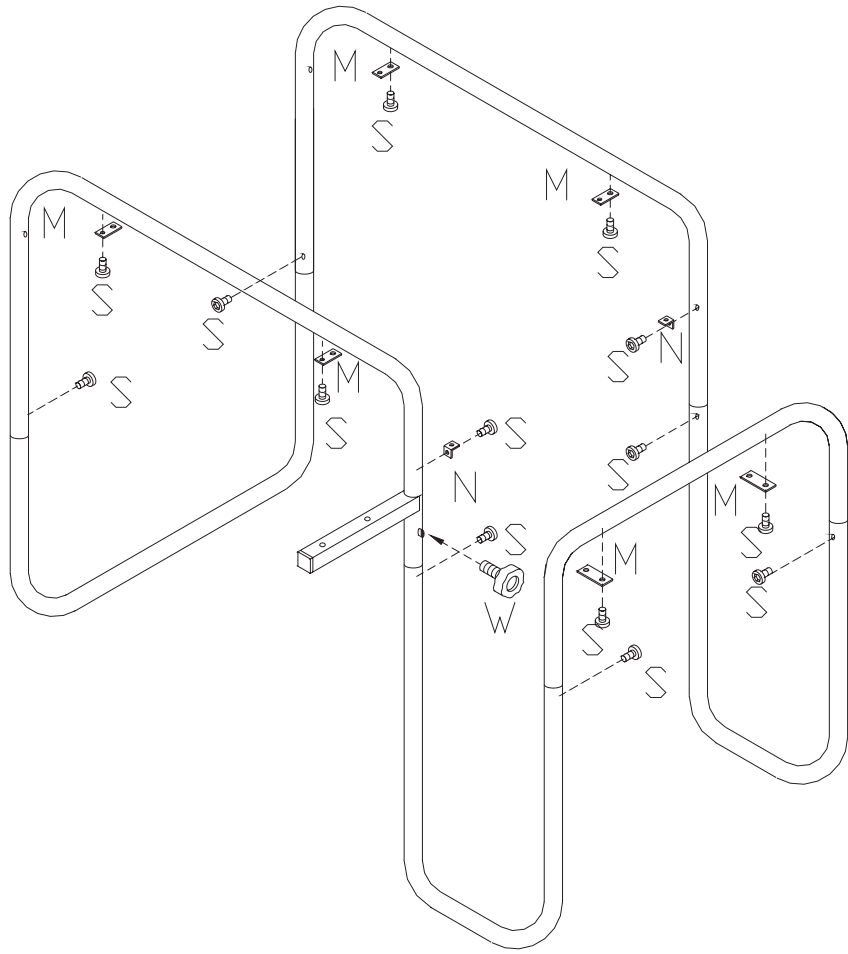
Name	Part	Qty.
A		1
B		1
C1		1
C2		1
D		1
F		1
G		1
H		1
I		1
J		2
K1		1
K2		1
L		1
M		6

Name	Part	Qty.
N		2
O		1
P		1
Q		1
R		3
S		19
T		5
U		5
V		13
W		1
X		4
Y		1
Z		1

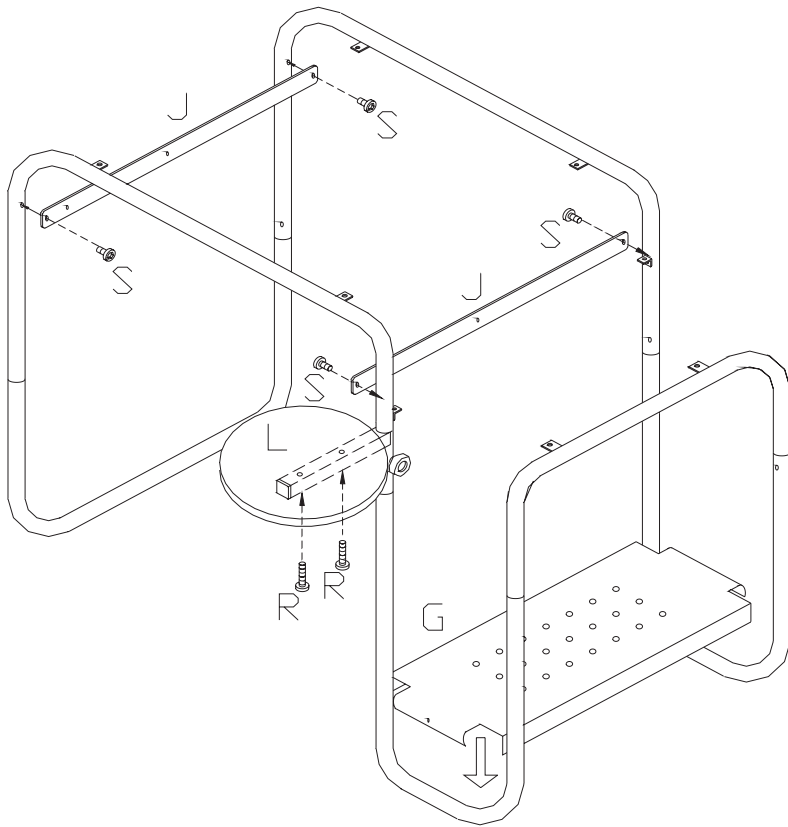
	<p>1/4"*32</p>	
	<p>1/4"*12</p>	
	<p>3/16"*7</p>	
	<p>M4*12</p>	



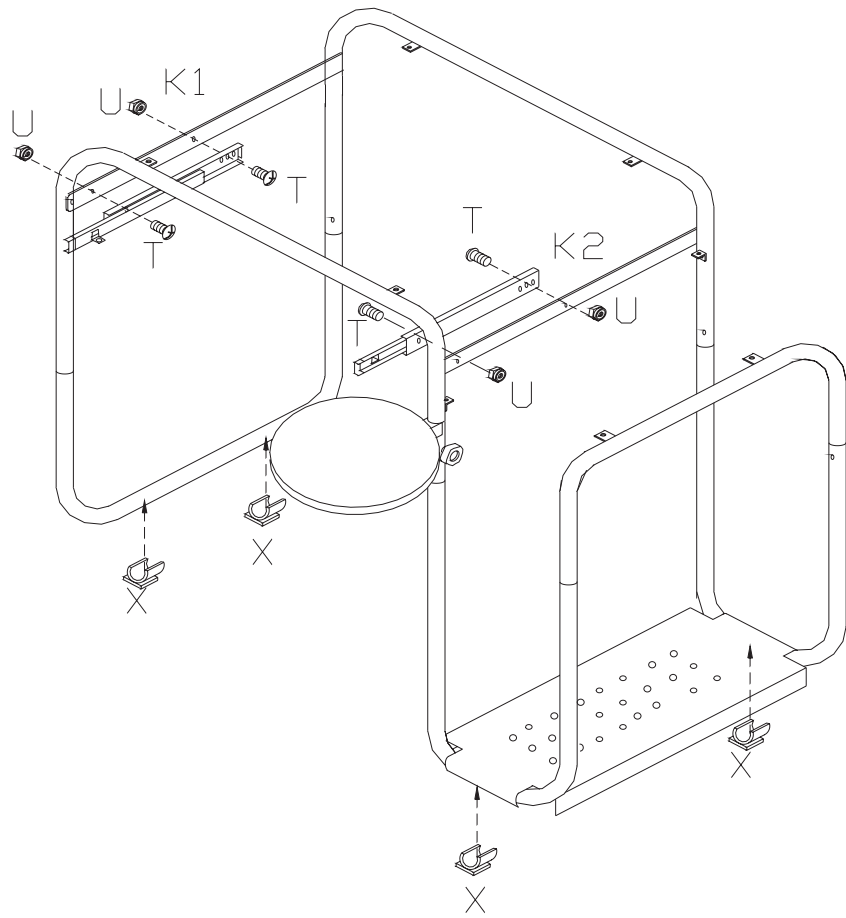
2



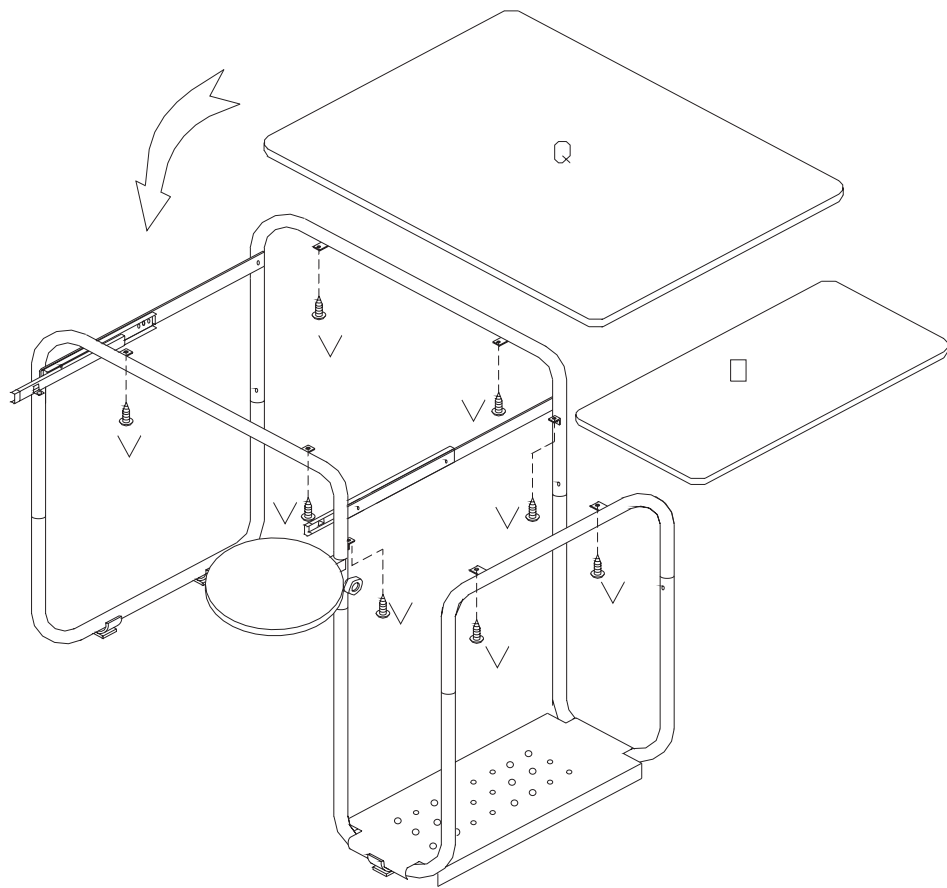
3



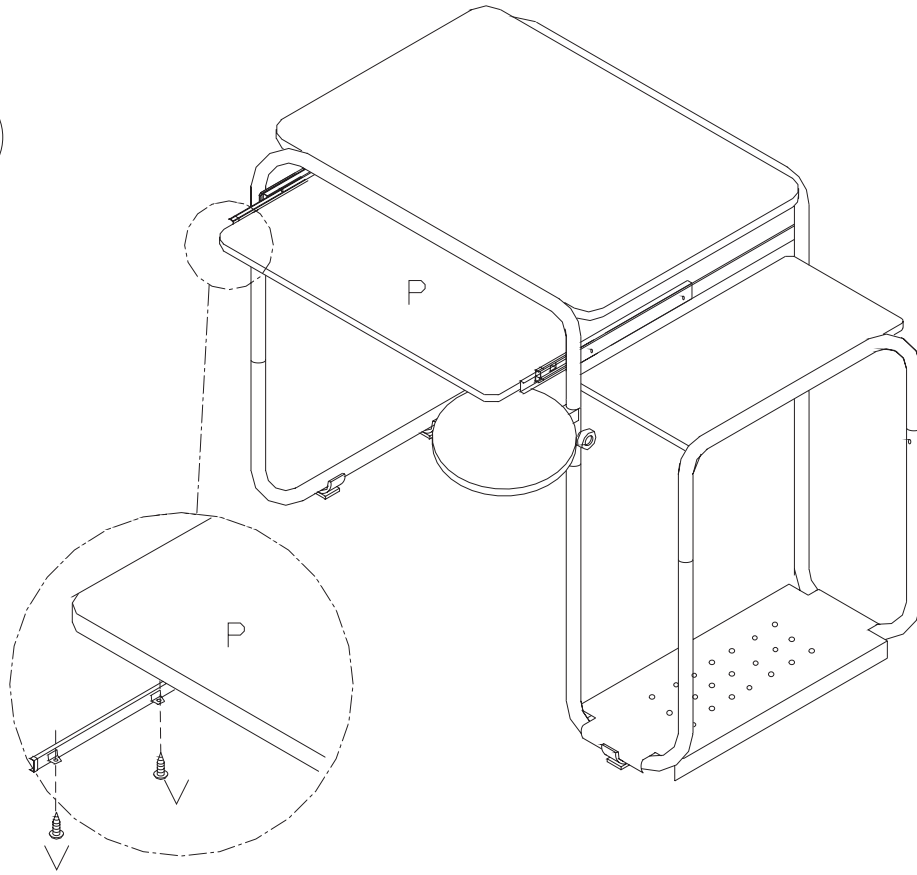
4



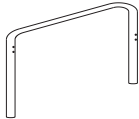
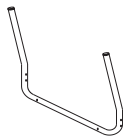
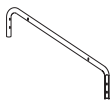

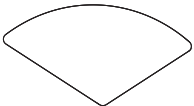
5

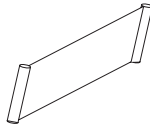
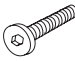







6

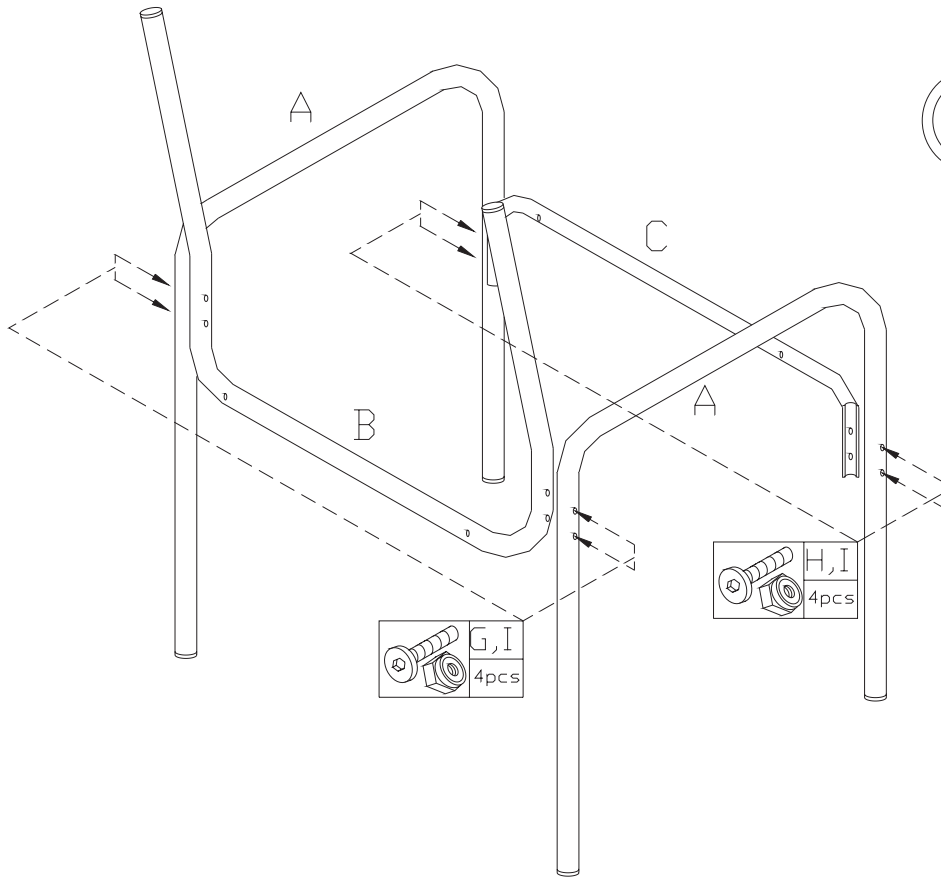


PARTS LIST

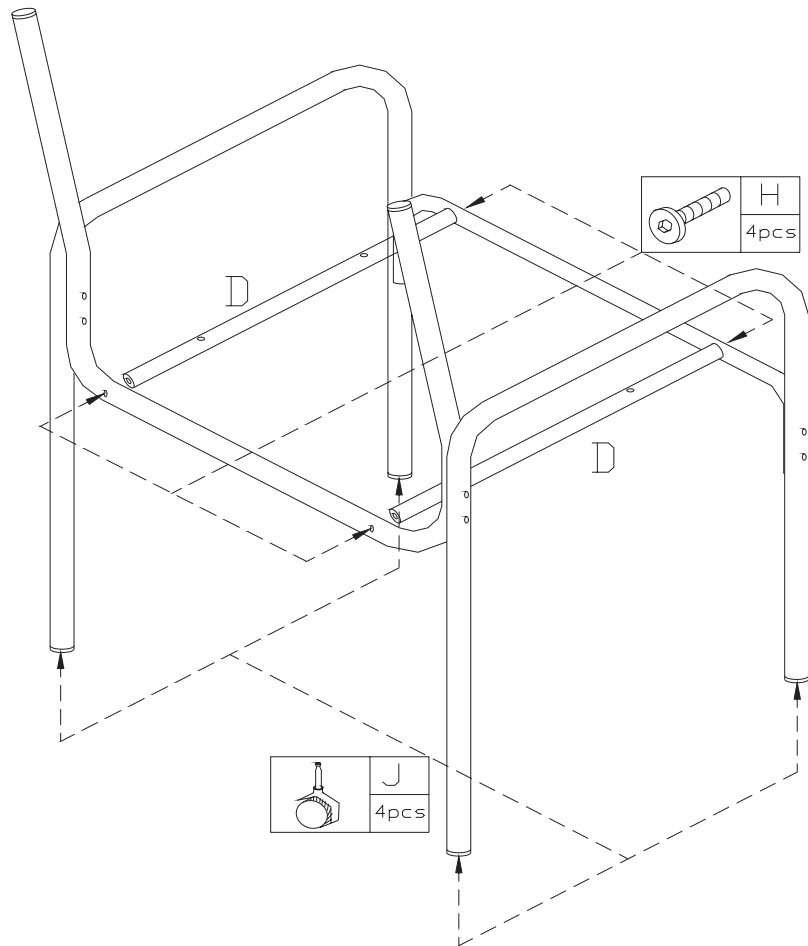
Name	Part	Qty.
A		2
B		1
C		1
D		2
E		1

Name	Part	Qty.
F		1
G	 1/4"*48	5
H	 1/4"*32	13
J		4
K		1
L		1
I	 1/4"*11*8	9

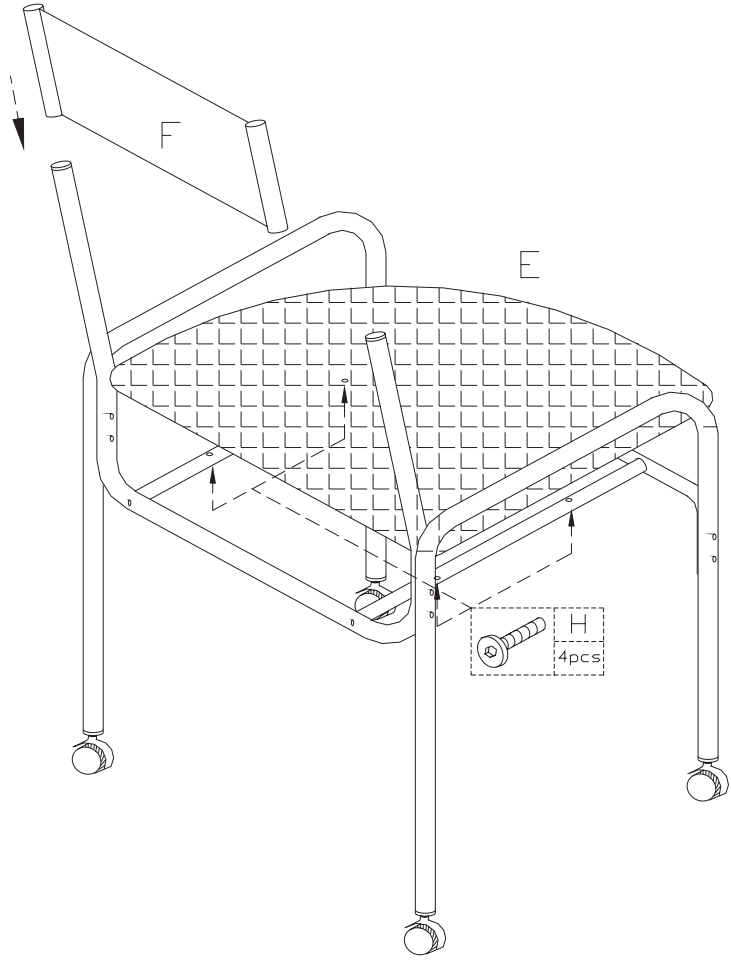
1



2



3



4

