

# Installation and Assembly - OSHPD Ceiling Plate for Jumbo 2000® Mounts

Models: CMJ 471,  
CMJ 471W

**IMPORTANT!** Read entire instruction sheet before beginning installation and assembly.



This product is intended for use with UL Listed products and must be installed by a qualified professional installer.

## ⚠ WARNING

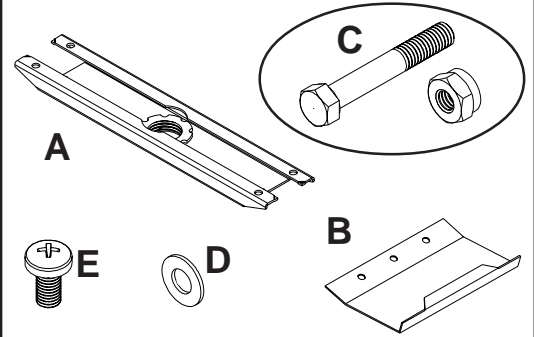
- Installer must verify that the wall will safely support four times the combined weight of all attached equipment and hardware.

### PARTS LIST

BLACK		WHITE		QTY.	DESCRIPTION
PART #	PART #	PART #	PART #		
A	128-1270	128-2270		1	tapered ceiling bracket
B	2PT-22CA01D	2PT-22CA01F		2	end cap
C	520-1117	520-1117		4	A325 grade 3/8" - 16 x 2.5" nut & bolt
D	540-9407	540-9407		4	.406 x .812 x .060 washer
E	520-9250	520-9250		1	M5 x .8 x 10 mm phillips screw (for use with extension column if applicable)

Note: Actual parts may appear slightly different than illustrated.

**IMPORTANT:** If using different bolts, the bolts **must** be A325 grade.

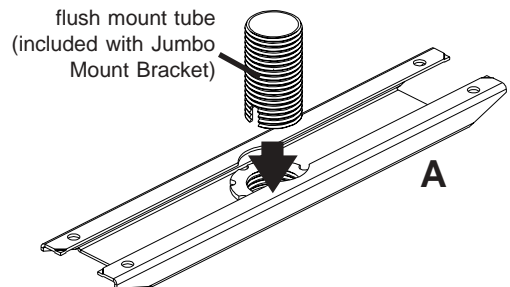


This Ceiling Plate is intended for use only to support Jumbo 2000 Mount TV Brackets or other products as specified by Peerless Ind, Inc. Fasteners provided are for attachment to a steel structure as specified by OSHPD.

**MAXIMUM LOAD CAPACITY:**  
300 lb (137 kg)

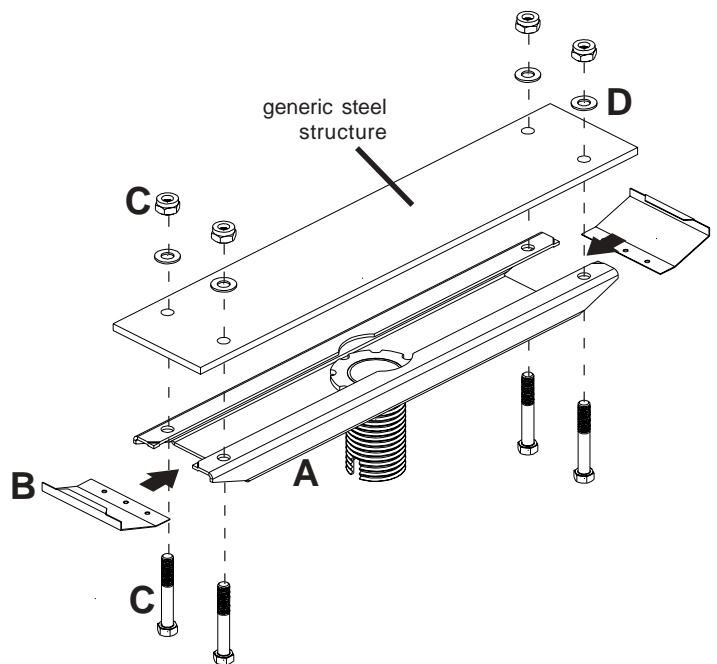
- From the top, thread the Flush Mount Tube (included with your Jumbo Mount Bracket) through the threaded fitting in the ceiling plate (A).

**IMPORTANT:** If you will install an extension column **DO NOT INSTALL THE FLUSH MOUNT TUBE.** Begin with step 2.



- Attach ceiling plate (A) to steel structure with four 3/8" - 16 x 2.5" nuts & bolts (C) and four .406 x .812 x .060 washers (D) as shown using 9/16" (14 mm) socket wrench. Tighten bolts so ceiling plate is firmly attached. **DO NOT TIGHTEN WITH EXCESSIVE FORCE!** Overtightening can cause stress damage to bolts greatly reducing their holding power!

Snap end caps (B) into place.



- 3** When attaching the cross support to the extension column, carefully thread retaining collar onto end of the extension column. Tighten at least four complete turns ending with one of the small threaded holes aligned with slot in the end of the extension column. Insert and tighten one M5 screw (E).

**⚠ WARNING**

- Set screw (E) is self tapping and may be hard to get started but is essential to this installation. Failure to install this screw can cause the mount to fall.

