



## PP-ITC48 & PP-ITC1016 “I” BEAM & TRUSS PIPE FITTING CLAMPS

### INSTALLATION INSTRUCTIONS

#### Step 1:

Choose where the truss would be located. Unscrew the adjustable nuts to expand the truss to fit over the “I” beam.

#### Step 2

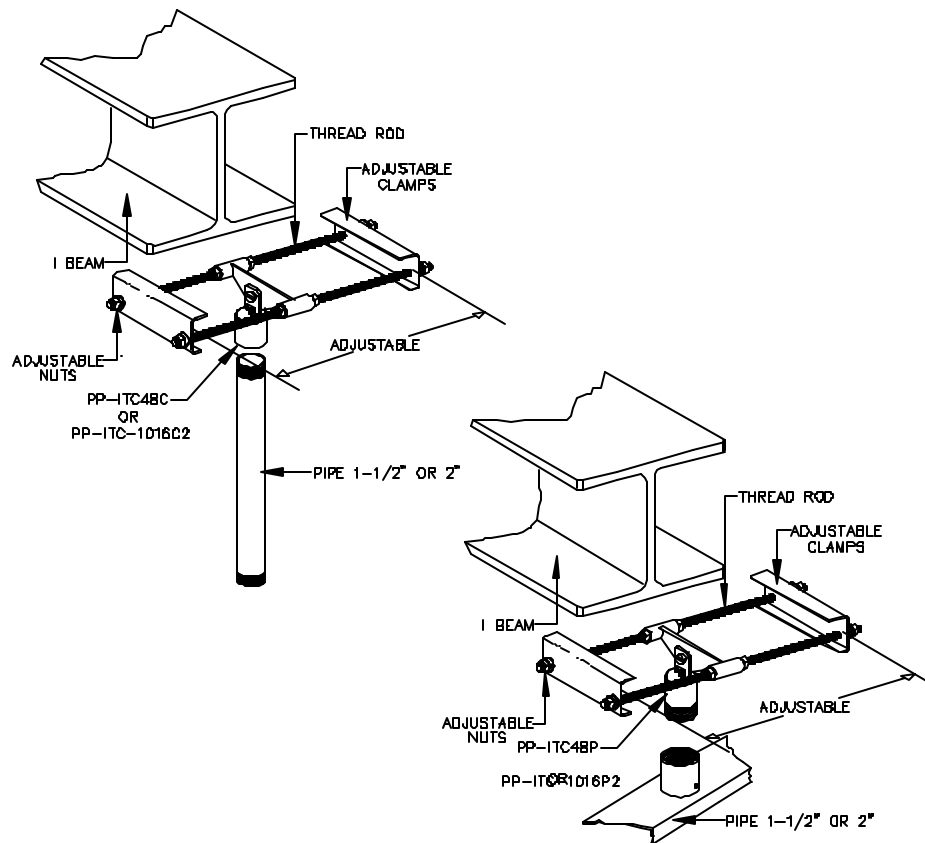
Secure the truss beam by screwing the adjustable nuts against the truss. The center point of the thread pipe fittings can be positioned anywhere along the open thread path of the “all thread” rods with positive locking of the set position. (Do not over tight).

#### PP-ITC48C/PP-ITC-1016C2

Secure the 1-1/2” or 2” pipe to the pipe coupling style then secure the Allen socket to the pipe.

#### PP-ITC48P/PP-ITC1016P2

Secure the mount or the coupling to the nipple and secure the Allen screw on the coupling to the pipe.



These new clamps can easily support weights up to 175 lbs. (1 1/2”) fittings and 350 lbs. (2”) fittings properly installed by qualified personnel.

*Progressive Marketing Products, Inc.*

2980-A Enterprise Street, Brea Ca, 92821  
Ph (800) 368-9700 Fax (800) 632-4886  
E-mail: [pmpl@pmpl.com](mailto:pmpl@pmpl.com) Web Site: [www.pmpl.com](http://www.pmpl.com)