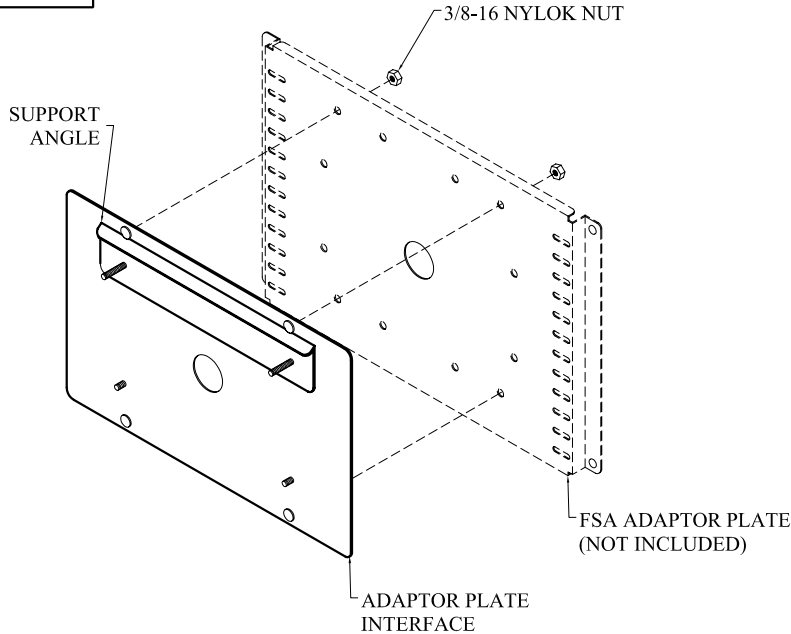


FSWA2220 ARTICULATING PLASMA MOUNT

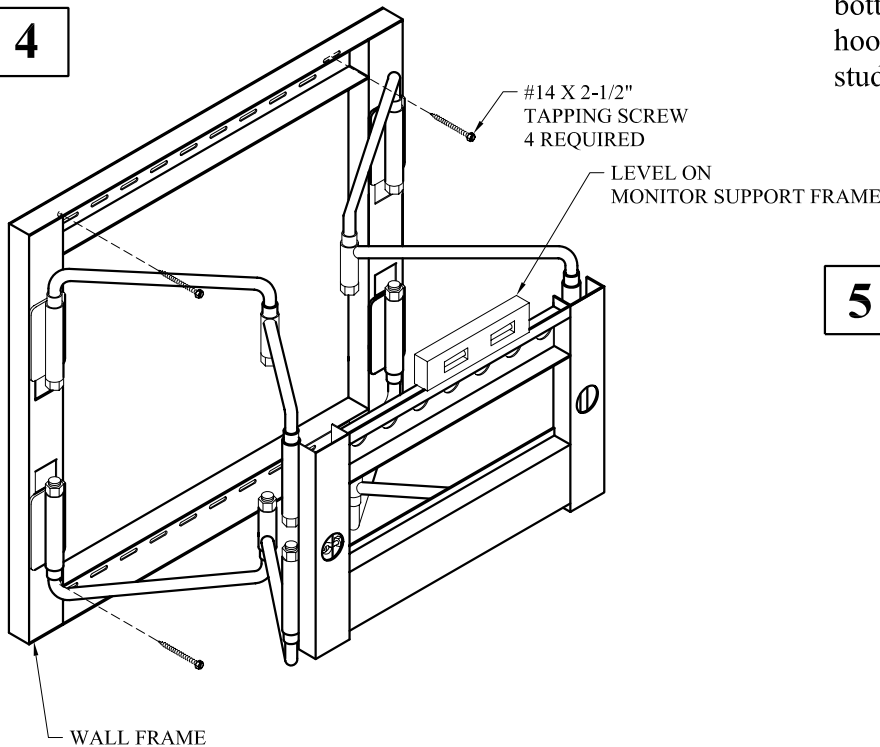
Flat Screen Adaptor Plate required

1-3

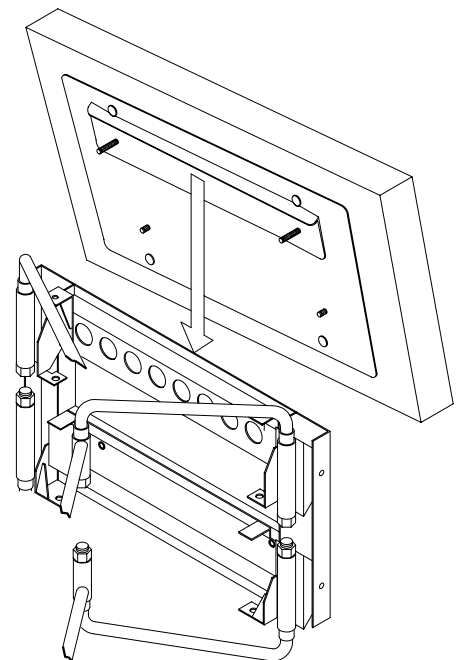


1. Remove adaptor plate interface from monitor support frame.
2. Attach adaptor plate interface to FSA (plasma screen adaptor plate appropriate to your monitor) using four 3/8-16 Nylock Nuts as shown.
3. Attach FSA to plasma monitor with hardware appropriate for your monitor.
4. Locate centers of wood studs (for metal stud wall use Lucasey part # WMATB4). Place a level on monitor support frame and adjust wall frame as necessary before securing frame to wall. Attach wall frame to wood studs utilizing four #14 x 2 1/2" tapping screws.

4

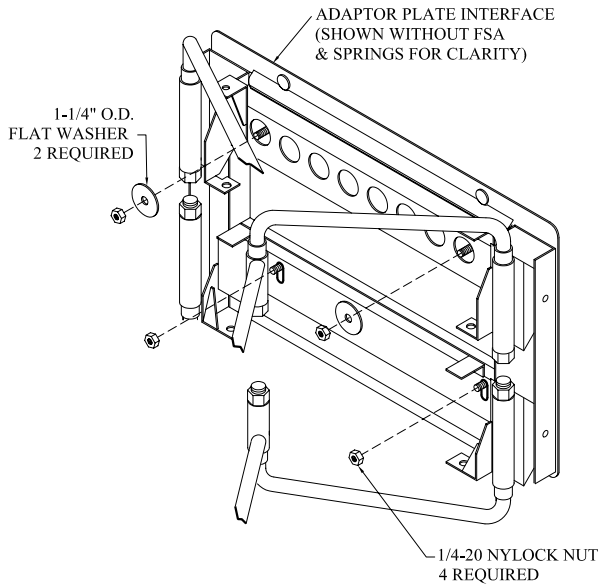


5



5. Raise monitor to support frame. Angle bottom of monitor away from wall and hook support angle over lip in frame with studs aligning to holes in frame.

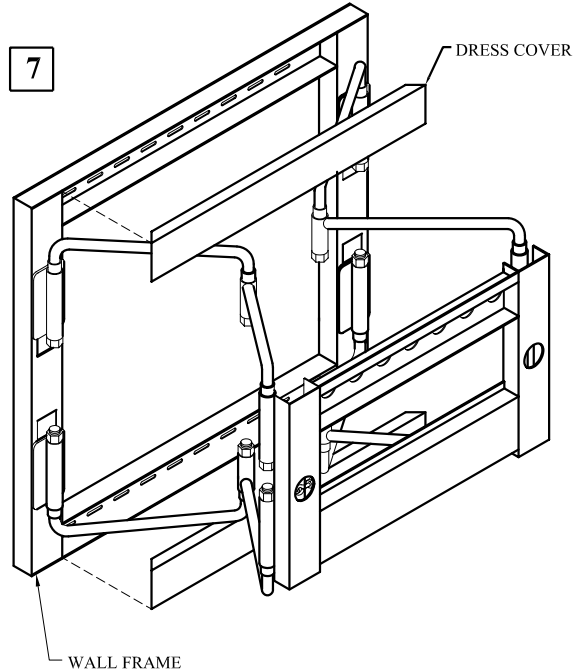
6



6. Secure monitor in place with 1/4-20 hex nuts and fender washers.

7. Install dress covers as shown in diagram 7.

7



ADJUSTING SPRINGS & CLUTCHES

1. Adjust spring tension equally on all 4 springs so that when monitor is placed in a 0° tilt position (see diag #1) it stays in place.
2. Tighten clutch bolts 1/2 turn at a time (equally on all 4) until monitor stays when placed in positive tilt direction (see diag #2).
3. When properly adjusted monitor should move easily in all directions and remain in place when positioned.

