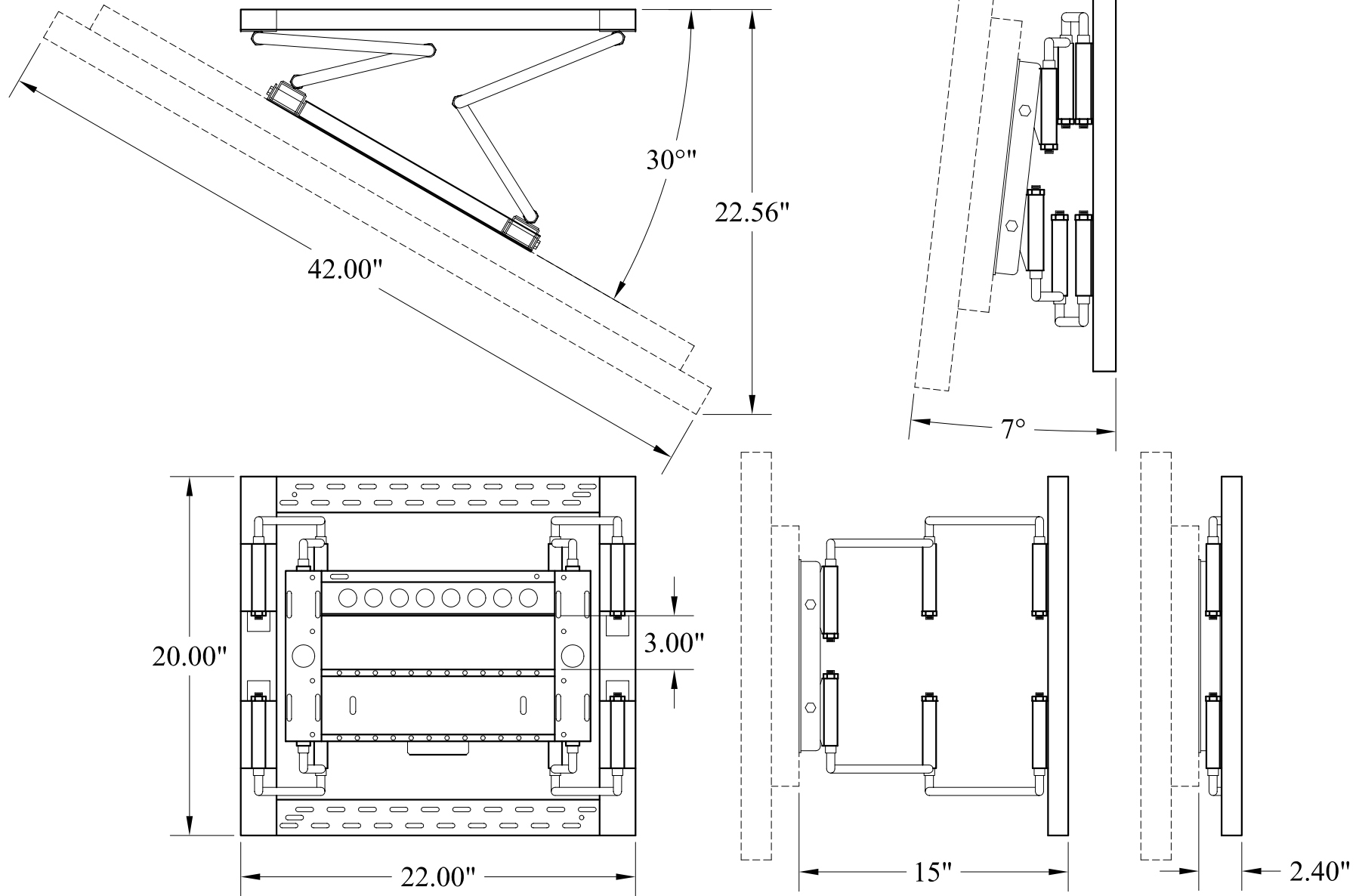


FSWA2220



Protected under one or more of these U.S. Patent numbers: 4,878,645 4,852,842 DES.309,562 4,973,023 5,169,114 5,255,884 5,310,152 5,522,576 5,621,614 Re.35,677 DES.398,834 5,826,384 5,941,492 5,964,068 6,060,661 6,102,398 6,158,704 6,454,116B1

PART NO.	WIDTH	HEIGHT	TOTAL PROJECTION	DOWNWARD TILT	UPWARD TILT	LOAD LIMIT	SHIPPING WEIGHT
FSWA2220	22"	20"	15"	22°	20°	125 LBS.	30 LBS.