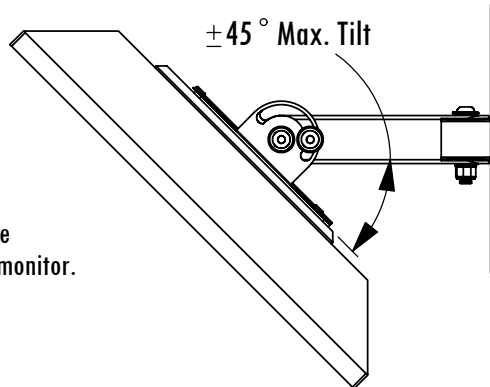
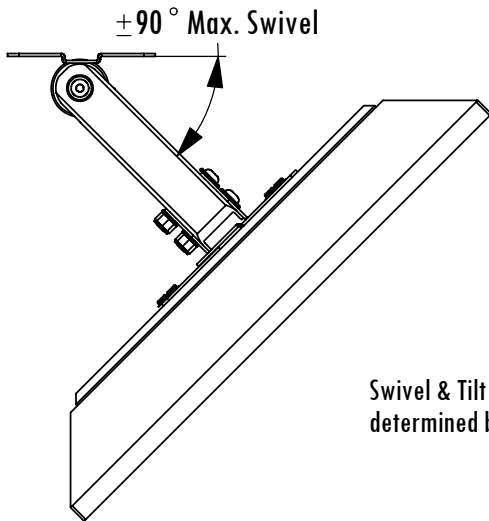
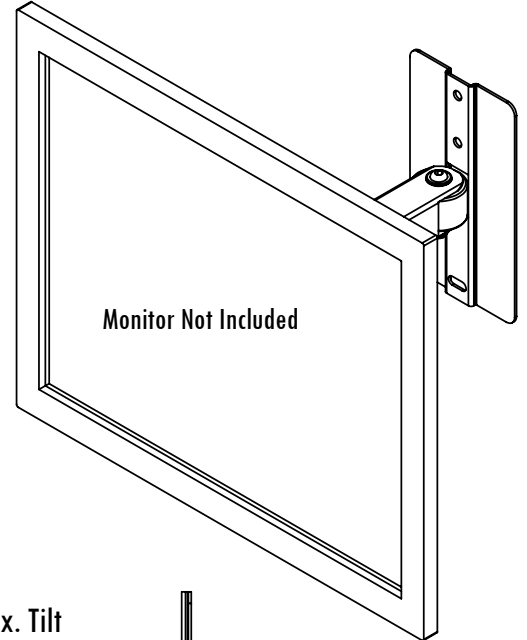


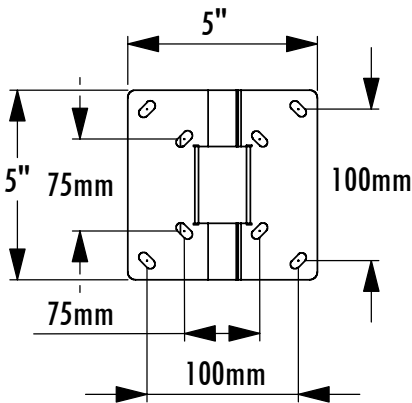
# LC100WP Dimensions

## Wall Mount for Flat Panel Screens up to 26"

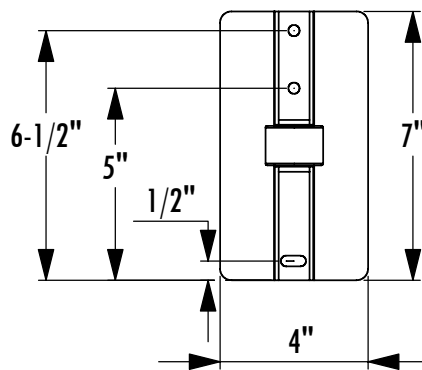
Model	Load Limit (lbs.)	Swivel	Tilt	Projection from Wall	Ship. Wt. (lbs.)
<b>LC100WP</b>	50	180°	±45°	6-1/2"	7



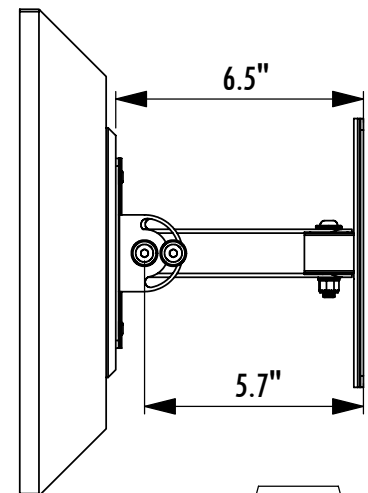
Swivel & Tilt Max. angle determined by size of monitor.



**100mm VESA® Plate**



**Wall Plate**



**1-800-LUCASEY • 1-510-534-1435**

©2005 Lucasey Manufacturing Corporation, Oakland, California

