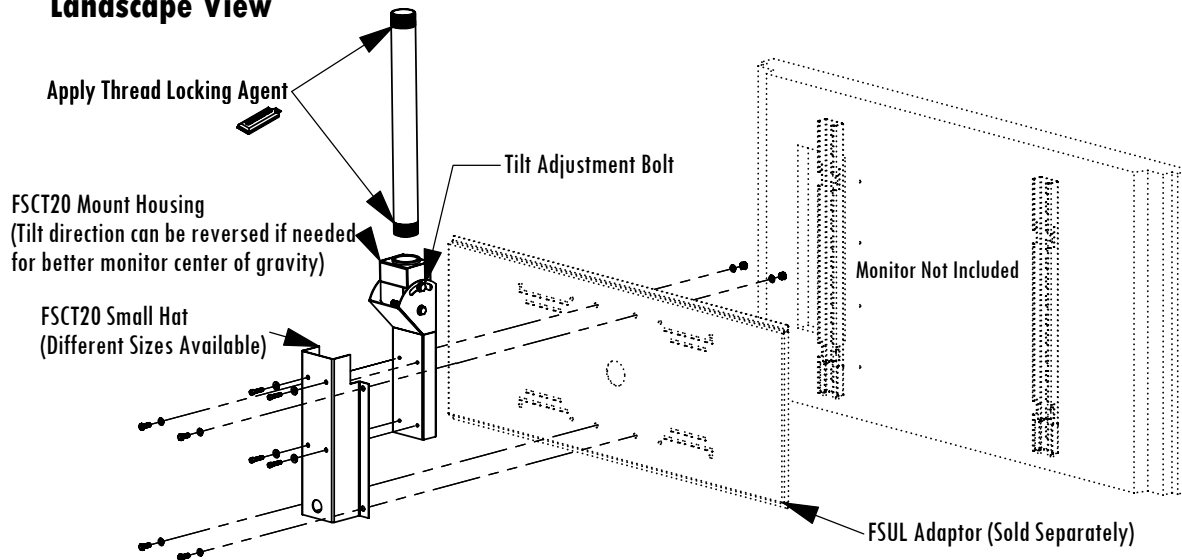


FSCT20 20° Tilt Flat Screen Ceiling Mount

Landscape View



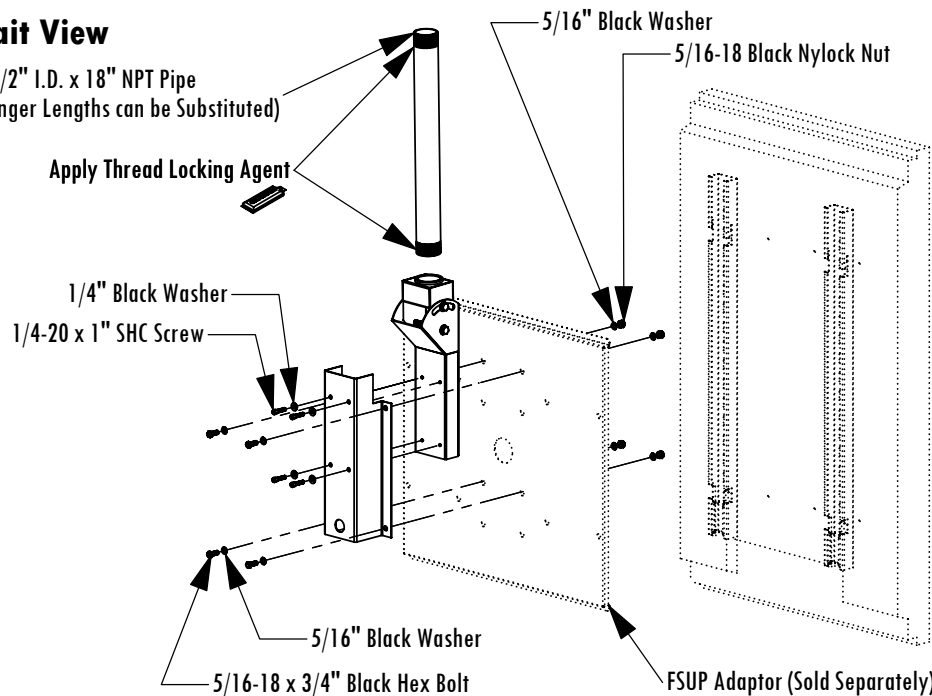
Caution: Ceiling attachment should be performed by qualified installers only, using construction methods prescribed by authorized architects or engineers that comply to all applicable codes and standards.

Ceiling mounting hardware and flanges are sold separately. See <http://www.lucasey.com> for details and drawings for all mount accessories.

Portrait or Landscape View Typical Universal Adaptor Installation

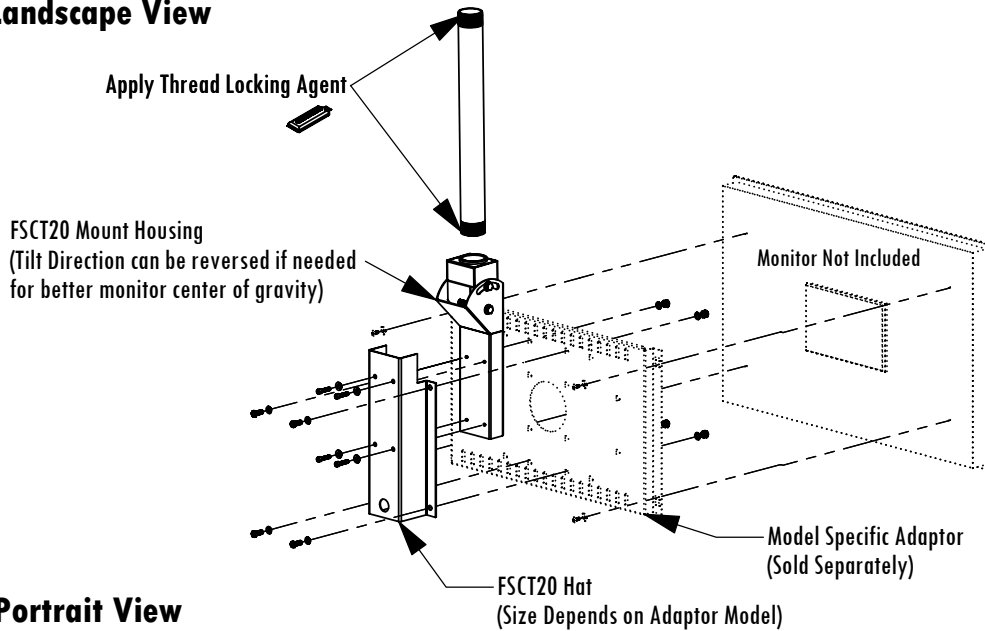
1. After attaching the Ceiling Flange (Sold Separately) to the Ceiling, apply thread locking agent to the pipe threads and screw the 1-1/2" I.D. NPT pipe into the Ceiling Flange.
2. Attach the FSCT20 Hat to FSCT20 Mount Housing using the provided 1/4-20x1" SHC Screws and 1/4" Washers.
3. Attach the assembly from step 1 to the Universal Adaptor Plate (Sold Separately) using the provided 5/16-18x3/4" Hex Bolts, 5/16" Washers and 5/16" Nylock Nuts.
4. Apply Thread Locking Agent to the 1-1/2" I.D. NPT Pipe and screw the assembly from step 2 onto the pipe.
5. Follow the Universal Adaptor instructions to attach the monitor to the Universal Adaptor Rails.
6. Carefully raise the monitor with attached rails to the Universal Adaptor Plate and tilt back to slip the top of the onto the plate. Use at least two people to raise the monitor and if necessary a manlift to raise the monitor up to the level of the mount .

Portrait View

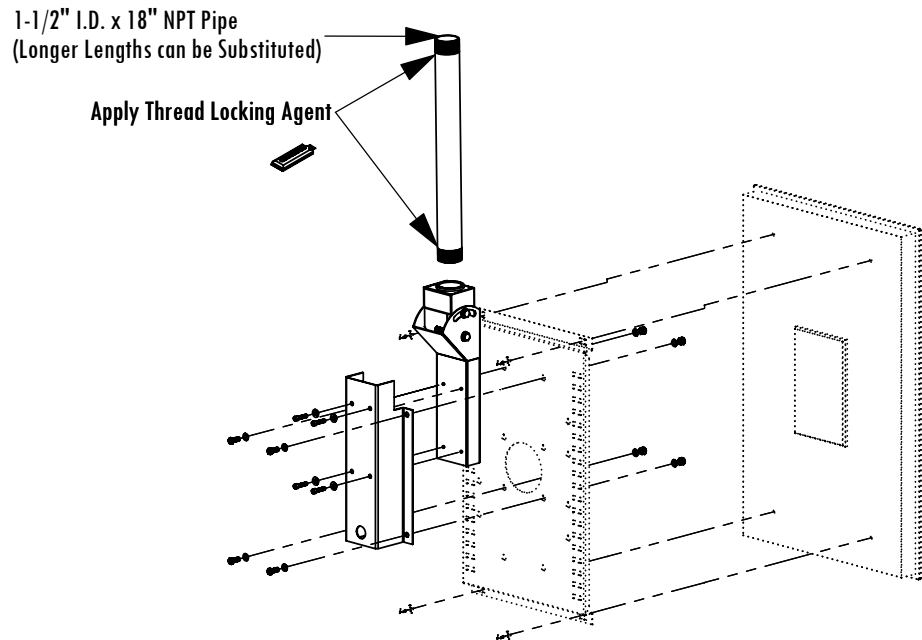


FSCT20 20° Tilt Flat Screen Ceiling Mount

Landscape View



Portrait View



Portrait or Landscape View Typical Model Specific Adaptor Installation

1. Attach the FSCT20 Hat to the Model Specific Adaptor using the provided 5/16-18x3/4" Hex Bolts, 5/16" Washers and 5/16" Nylock Nuts.
2. Attach the Model Specific Adaptor to the monitor following the instructions provided with that adaptor.
3. Apply Thread Locking Agent to the 1-1/2" I.D. NPT Pipe and screw the FSCT20 Mount Housing onto the pipe.
4. Carefully raise the assembly from step 2 and slip the FSCT20 Hat over the FSCT20 Mount Housing aligning the holes for the attaching screws.
5. Attach the FSCT20 Hat to FSCT20 Mount Housing using the provided 1/4-20x1" SHC Screws and 1/4" Washers.

Hardware List

1/4-20 x 1" Socket Head Cap Screws (Black)	4
1/4" Flat Washers (Black)	4
5/16-18 x 3/4" Hex Bolts (Black)	8
5/16" Flat Washers (Black)	20
5/16-18 Nylock Nuts (Black)	8
3/8-16 x 4" Hex Bolt (Black)	2
3/8" Flat Washers (Black)	4
3/8" Nylock Nuts (Black)	2
Permabond HM-128 1/2ml tube	1

Protected under one or more of these U.S. Patent numbers: 3,291,432; 3,559,942; 3,724,798; DES.270,689; 4,613,109; 4,878,645; 4,852,842; DES.309,5024; 973,023; 5,169,114; 5,255,884; 5,310,132; 5,522,576; 5,621,014; Re.35,677; DES.398,834; 5,826,384; 5,941,492; 5,964,068; 6,060,661; 6,102,398; 6,138,704; 6,454,110B1; 6,761,270B2; 6,806,425B1