

FSCTD

Dual Back to Back Flat Screen Ceiling Mount

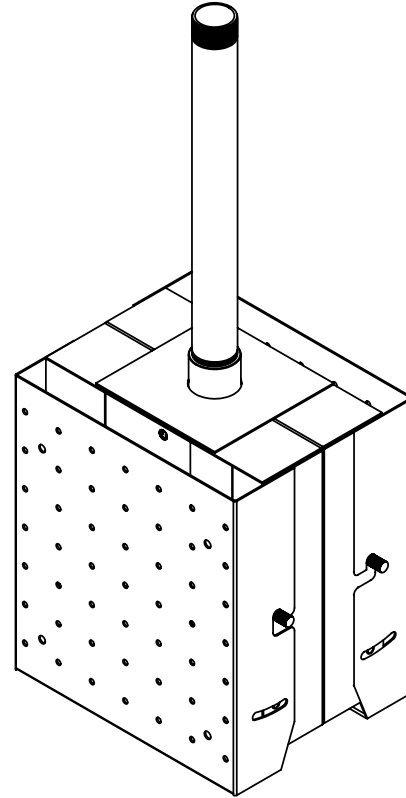
The FSCTD Dual Back to Back Flat Screen Ceiling Mount is designed to suspend a monitor from a single flange mounted to structure in the ceiling. (The ceiling flange is sold separately.)

The existing hole pattern on the front of the FSCTD mount allows it to be used with standard VESA® mounting patterns. The FSCTD can also be mounted using our patented universal flat screen adaptors and mount specific flat screen adaptors. (The mount specific and universal flat screen adaptors are sold separately.) The monitors can be mounted in either portrait or landscape viewing modes and tilted up to 15° for the optimal viewing angle.

The 1/2" nylock nuts and 3/8" hex bolts on the sides of the FSCTD positively secure the monitors to prevent any possible unintentional release from the mount.

Our mounts are tested at four times the rated load limit to ensure that they can hold the monitor during seismic or other extreme loading events.

When dropping the monitor more than 36" from the ceiling flange, we recommend using a stabilizer kit to prevent the pipe from being able to move from side to side. (CMASTA15 stabilizer kit is sold separately.)



Important! Please read all warnings and cautions before installing the mount.

Caution: Improper installation of this ceiling mount may void the warranty on your monitor.

Caution: Ceiling attachment should be performed by qualified installers only, using construction methods prescribed by authorized architects or engineers that comply to all applicable codes and standards.

The maximum weight of each monitor to be installed on the FSCTD is 200 Lbs. (90.7 Kg.)

Inspect all parts to make sure there is no shipping damage. Do not install if any parts are damaged.

Please call 1-800-LUCASEY or 1-510-534-1435 if you have any questions about this installation.

WARNING: Improper installation can result in serious personal injury. It is the responsibility of the installer to ensure that all safety precautions are taken during the installation and that all safety features of the mount are properly utilized.

WARNING: The structure to which the mount is attached needs to be capable of supporting five times the stated load limit. Additional reinforcement of the structure to which the ceiling flange is attached may be necessary and a certified architect or engineer is needed to make this determination.

WARNING: Take into consideration the combined weight of the mount, the monitor and any auxiliary equipment when determining the total load on the ceiling and mount.

WARNING: Do not place your fingers between movable parts on the FSCTD mount. The FSCTD Ceiling Mount Bracket Assembly and FSCTD VESA® Mounting Plates, when adjusting the tilt or putting the monitor in place, create pinch points that can cause injury.

WARNING: Make sure that the screws used to attach the monitor to the mount are the appropriate size and length. An assortment of monitor attaching screws is provided for convenience. The appropriate screws to use for mounting the monitor are determined by the monitor manufacturer. Failure to use the screws recommended by the monitor manufacturer can result in the monitor dropping from the mount and/or damage to the electronic components inside the monitor.

WARNING: Use the thread locking agent and setscrews provided to prevent the pipe from coming unscrewed. Failure to use either the thread locking agent or the set screws can result, with continued swivelling of the monitor on the threads of the pipe, in the pipe coming unscrewed from the ceiling flange and dropping the monitor. The monitor mount assembly coming unscrewed from the pipe unintentionally can cause injury.

Table of Contents

Page 1 ...	Title Page & Product Description
Page 2 ...	Warnings, Item List & Tools Required
Page 3 ...	Dimensional Drawings
Page 4 ...	Installation Instructions for FSCTD Ceiling Bracket
Page 5 ...	Installation Instructions for Monitor Attachment
Page 6 ...	Tilt Adjustment, Monitor Removal & Warranty

Item List

1 ...	FSCTD Ceiling Mount Bracket Assembly
2 ...	FSCTD VESA® Mounting Plates
1 ...	1-1/2" I.D. NPT x 18" Pipe
4 ...	3/8-16 x 3/4" Hex Bolts (Black)
4 ...	1/2-13 Nylock Nuts (Black)
8 ...	5/16-18 x 3/4" Hex Bolts (Black)
16 ...	5/16" Flat Washers (Black)
8 ...	5/16-18 Nylock Nuts (Black)
1 ...	PermaBond HM-128 1/2ml Tube
2 ...	1/4-20 x 3/8" Setscrews

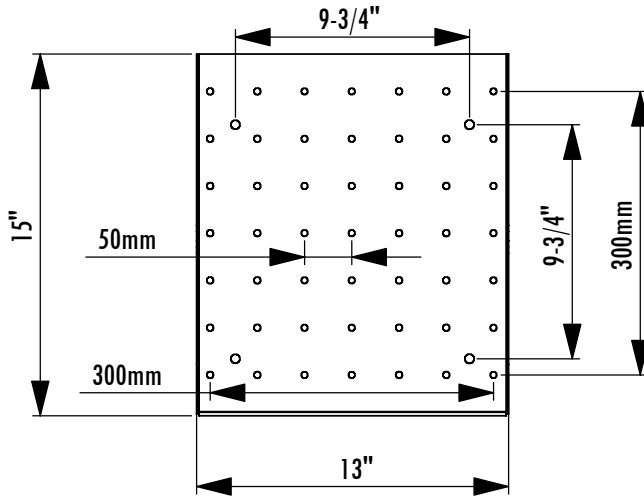
Tools Required

1/8" Hex Wrench
 3/4" Box Wrench or Socket Driver
 9/16" Box Wrench or Socket Driver
 1/2" Box Wrench or Socket Driver
 Pipe or Strap Wrench for 1-1/2" I.D. Pipe
 Phillips Screw Driver

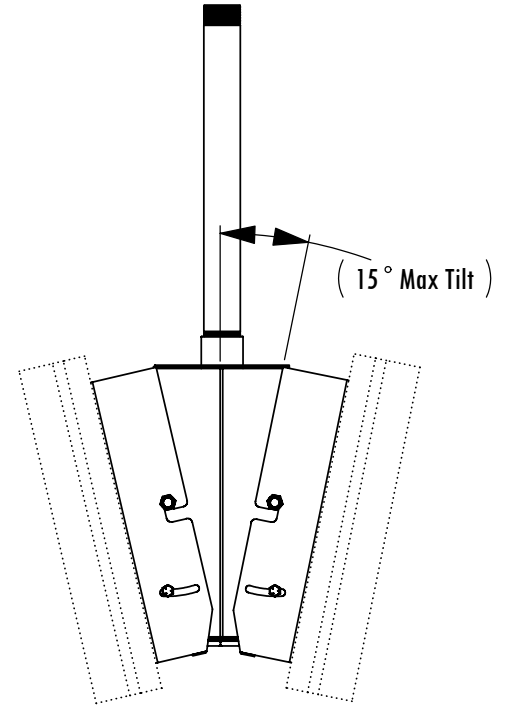
Monitor Attaching Screw Assortment

8 ...	4mm x 25mm Set Screws
16 ...	4mm Hex Nuts
8 ...	5mm x 30mm Set Screws
16 ...	5mm Hex Nuts
8 ...	6mm x 30mm Set Screws
16 ...	6mm Hex Nuts
8 ...	4mm x 12mm Phillips Screws
24 ...	5mm Flat Washers
8 ...	5mm x 12mm Phillips Screws
24 ...	1/4" Flat Washers
8 ...	6mm x 12mm Phillips Screws

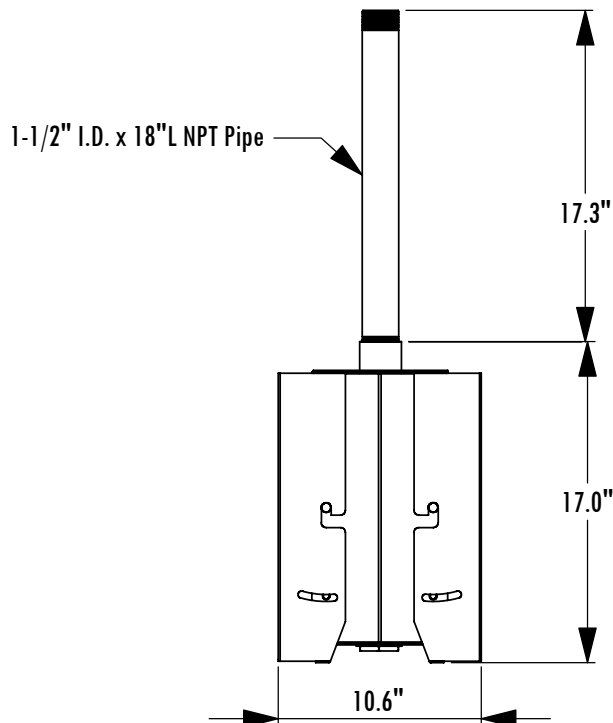
FSCTD VESA® Front Plate Front View



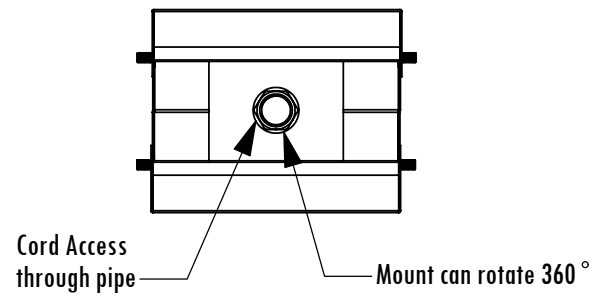
FSCTD Tilted Side View



FSCTD No Tilt Side View



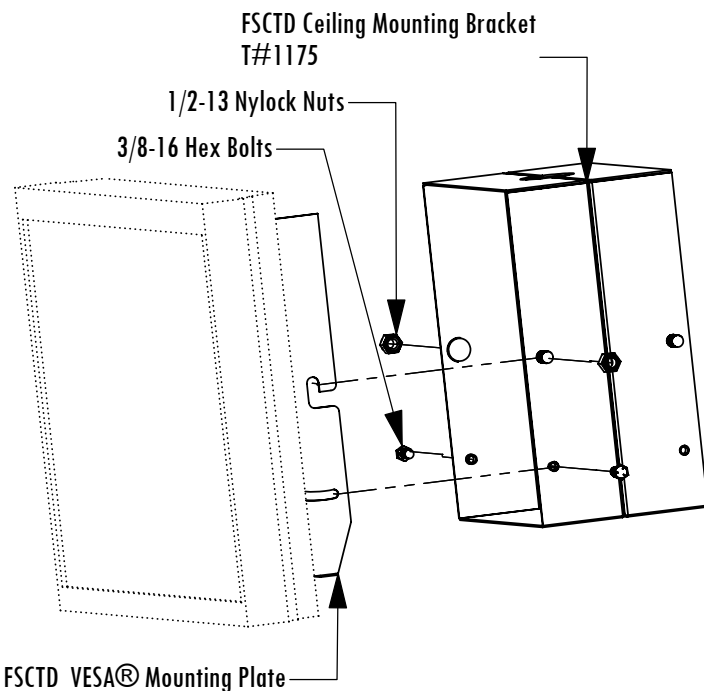
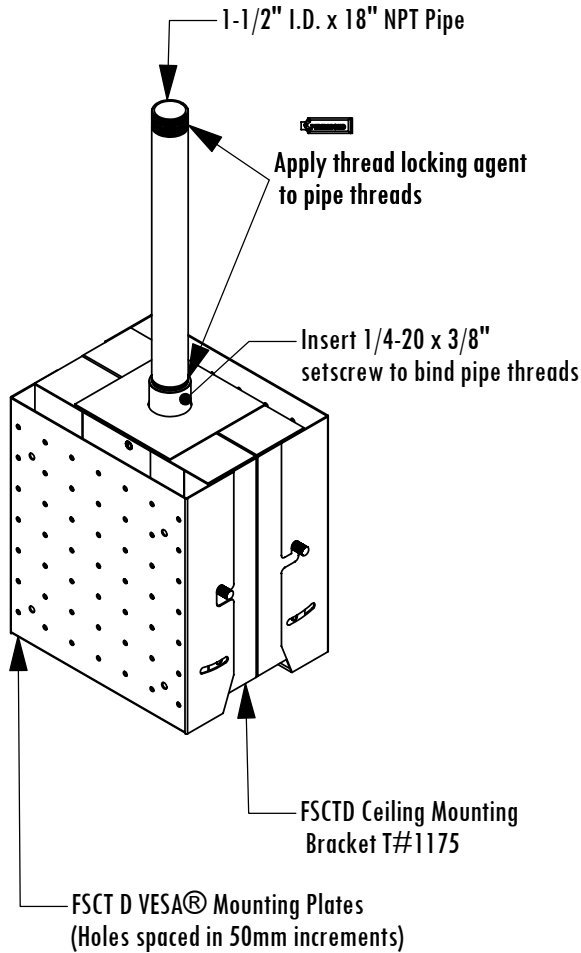
FSCTD Bottom View



Attaching Pipe to Ceiling Mounting Bracket

Ceiling mounting hardware and flanges are sold separately. See <http://www.lucasey.com> for details and drawings of all available mount accessories.

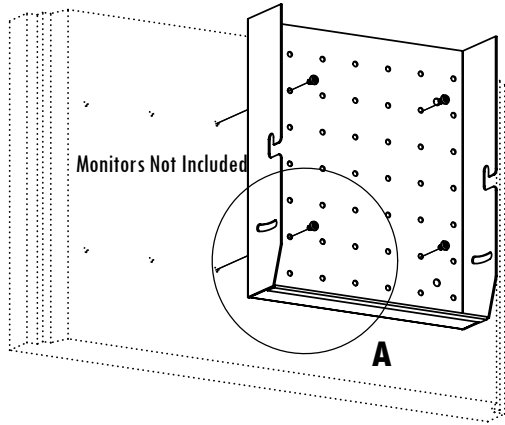
1. Install the appropriate 1-1/2" NPT ceiling flange for your mounting application. Follow the instructions specific to the mounting hardware to be used for the ceiling flange installation.
2. Determine the appropriate length of pipe needed to place the monitor in the proper viewing position. (The pipe provided with the FSCTD mount is normally 18" in length but longer lengths can be substituted. Any drop over 36" needs to be stabilized using a CMASTA15, stabilizer kit.)
3. Apply the thread locking agent provided in the FSCTD hardware kit to the threads of the 1-1/2" NPT pipe and securely tighten this pipe into the ceiling flange using a pipe wrench or strap wrench. Tighten while the thread locking agent is still wet.
4. Tighten the provided 1/4-20 x 3/8" set screw into the threaded hole on the ceiling flange coupling all the way until the setscrew causes the threads on the pipe to bind.
5. Apply thread locking agent to the FSCTD mount end of the 1-1/2" I.D. NPT pipe. Screw the FSCTD Ceiling Mounting Bracket onto the 1-1/2" I.D. NPT Pipe while the thread locking agent is still wet.
6. Tighten the provided 1/4-20 x 3/8" set screw into the threaded hole on the FSCTD Ceiling Mounting Bracket coupling all the way until the setscrew comes into contact with the threads on the pipe to bind.



Follow the instructions on page 5 for attaching the monitors to the FSCTD VESA® Mounting Plates.

1. Leave the 1/2-13 Nylock Nuts loose and the holes for the 3/8-16 Hex Bolts empty.
2. Raise the monitor with attached brackets to the FSCTD Ceiling Mounting Bracket and slip the slots of the FSCTD VESA® Mounting Plate over the studs on the FSCTD Ceiling Mounting Bracket. Check to make sure the FSCTD VESA® Mounting Plate Slots are fully engaged and seated. Brace installation if needed and repeat this step with second monitor.
3. Adjust Tilt to the desired viewing angle. Then, tighten the 1/2-13 Nylock Nuts and 3/8-16 Hex Bolts to keep the monitors tilted.

Typical Direct Monitor Attachment

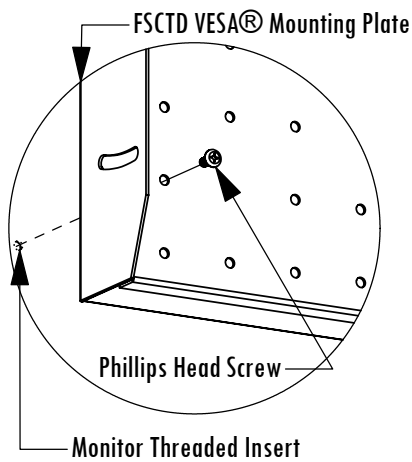


Determine which type of monitor attaching hardware is required for the monitor as specified by the monitor manufacturer. Various sizes of monitor attaching screws are provided for convenience.

If mounting the monitors directly to the FSCTD VESA® Mounting Plates, follow the Direct Monitor Attachment instructions. If mounting the monitor using an Adaptor Plate, follow the Monitor Attachment with Adaptor Plate instructions.

Direct Monitor Attachment

Use fasteners as specified by the monitor manufacturer to attach the monitors directly to the FSCTD VESA® Mounting Plates. (DETAIL A)

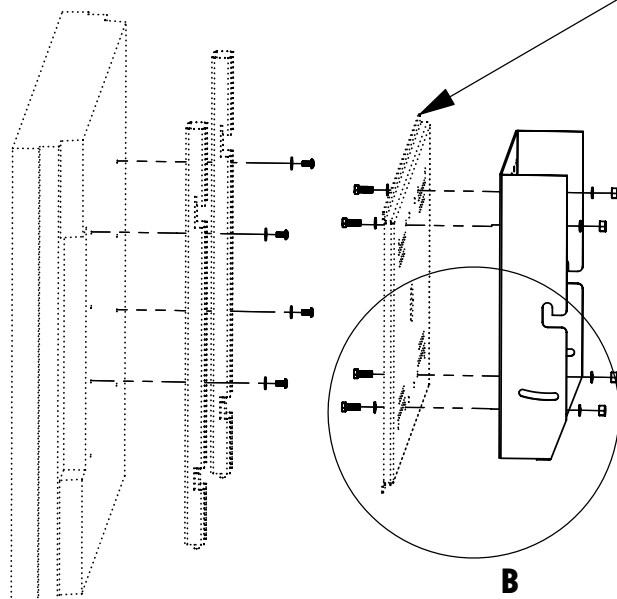


DETAIL A

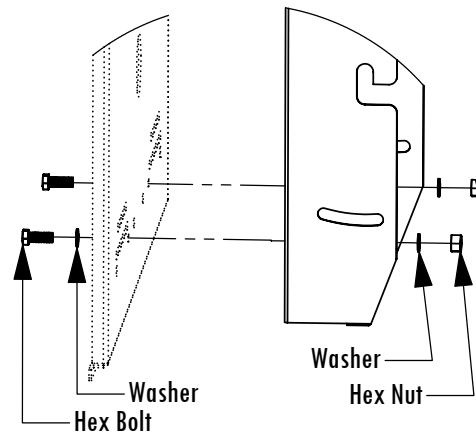
Monitor Attachment with Adaptor Plate

Secure the Adaptor Plate to the FSCTD VESA® Mounting Plates with the provided hex bolts, nuts, and washers. (DETAIL B)
Refer to the specific Adaptor Plate instructions to attach the adaptor plates to the monitors.

Typical Monitor Attachment with Adaptor Plate



Adaptor Plate Sold Separately
(Shown with FSUL Series Adaptor
See <http://www.lucasey.com/>
for instructions and technical drawings)



DETAIL B

