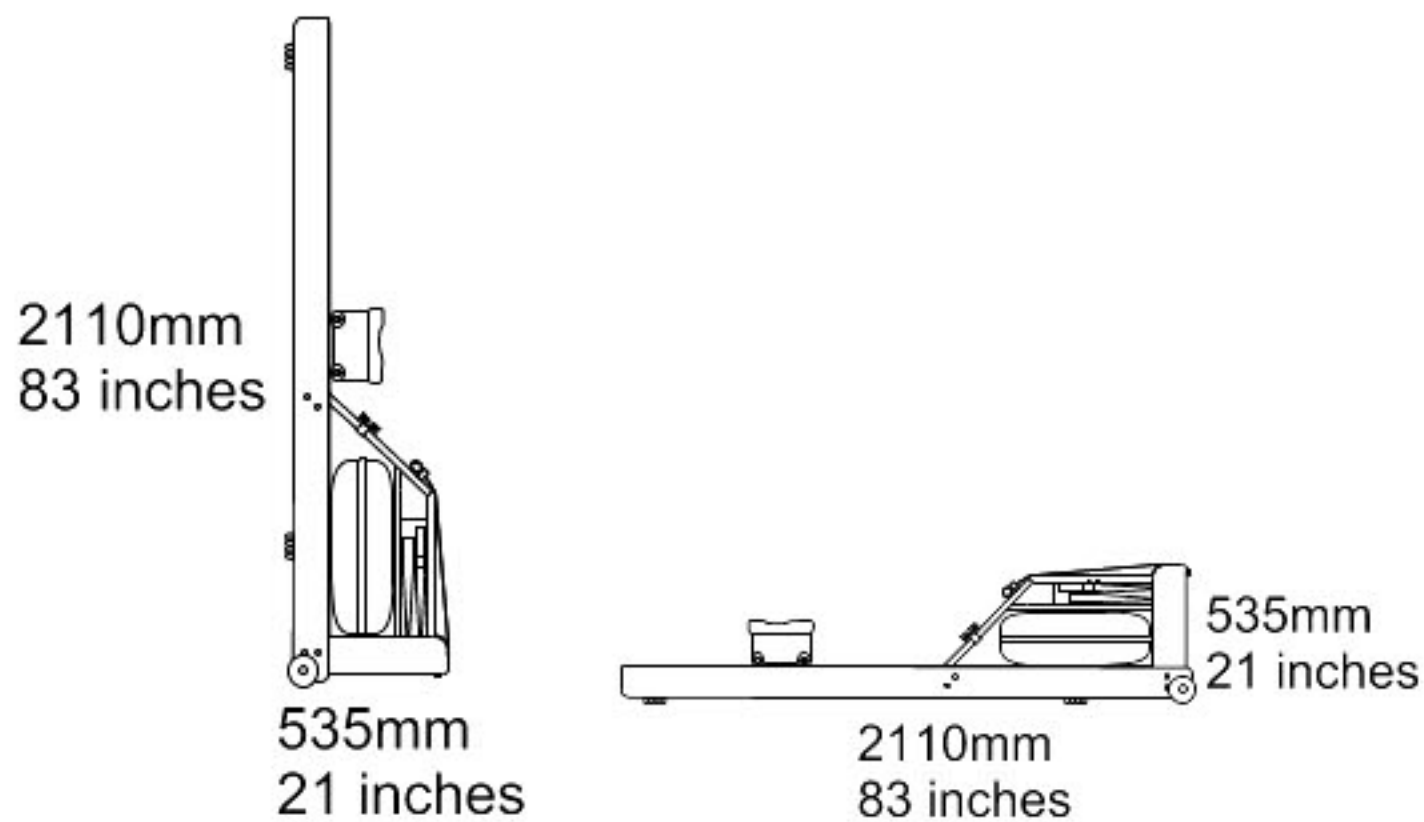


WaterRower Dimensions



WaterRower Weight

Wooden Models are approximately 33kgs or 73 lbs dry and up to 53kgs or 117 lbs wet

S1 Model is approximately 45kgs or 100 lbs dry and up to 65kgs or 143 lbs wet

M1 Model is approximately 69kgs or 150 lbs dry and up to 89kgs or 200 lbs wet

WaterRower Shipping Dimensions

WaterRowers are shipped partially disassembled for protection and shipped in two or three boxes

Shipping Dimensions are as follows;

Tank Box

Wood Models- 1 Box as shown, 27kg or 60lbs

S1- 1 Box as shown, 32kg or 70lbs

M1- 1 Box as shown, 36kg or 80lbs



Rail Box

Wooden Models- 1 box as shown containing 2 rails-11kg, 23 lbs

S1- 1 box per machine containing 2 rails-18kg, 40lbs



M1 LoRise- 1 box per machine, containing 2 rails- 23kgs, 50 lbs each

HiRise, 2 boxes per machine, containing 1 rail in each- 14kgs, 31 lbs each

