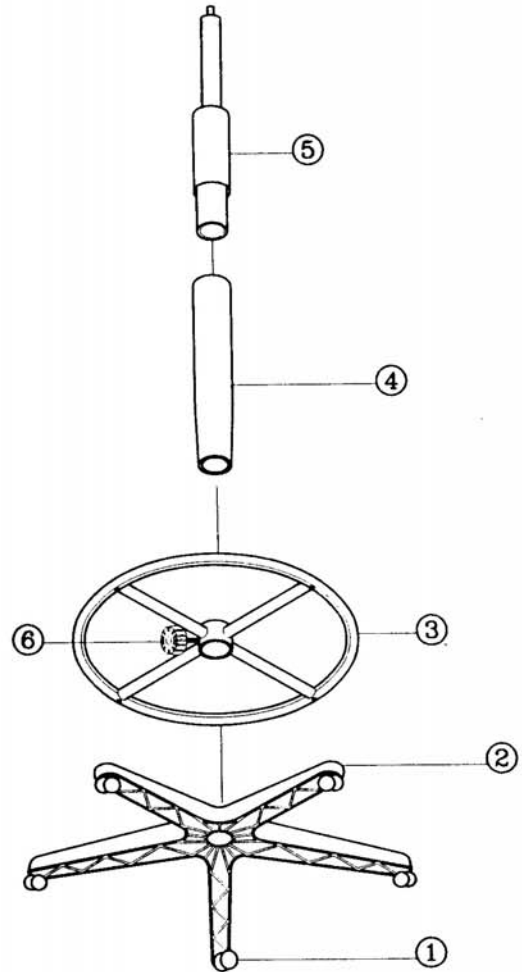
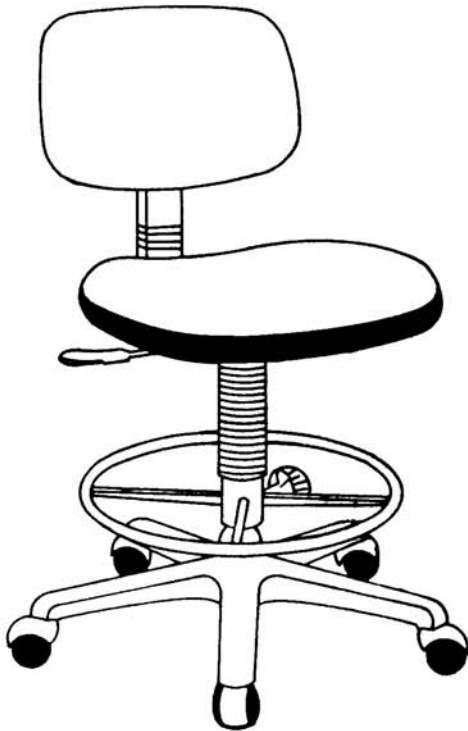




Assembly Instructions for Footring No. CK38

PARTS LIST		
KEY	QTY.	DESCRIPTION
1	5	CASTER
2	1	BASE
3	1	FOOTRING
4	1	EXTENSION TUBE
5	1	SEAT POST
6	1	FOOTRING KNOB



Made in Taiwan

PREVENTIVE MAINTENANCE AND WARNING

- USE THIS PRODUCT ONLY FOR SEATING ONE PERSON AT A TIME.
- DO NOT USE CHAIR AS STEP STOOLLADDER.
- DO NOT USE CHAIR UNLESS ALL BOLTS, SCREWS AND KNOBS ARE TIGHT. AT LEAST EVERY SIX MONTHS, CHECK ALL BOLTS, SCREWS AND KNOBS TO BE SURE THEY ARE TIGHT.
- IF ANY PARTS ARE MISSING, BROKEN, DAMAGED OR WORN, STOP USE OF THE PRODUCT UNTIL REPAIRS ARE MADE USING FACTORY AUTHORIZED PARTS.
- FAILURE TO FOLLOW THESE WARNINGS CAN RESULT TO SERIOUS INJURY.

ASSEMBLY INSTRUCTION

1. Insert (1) casters into (2) base.
2. Slide-in (4) extension tube onto (3) footring and (2) base. Then insert tapered end of (4) extension tube.
3. Insert (5) seat post into (4) extension tube.
4. Screw-in the (6) footring knob into (3) footring. Then adjust (6) footring knob to desired height.

