

Made in Brazil

PARTS

- | | |
|-----------------------|-------------------------|
| (A) FRONT PANELS (2) | (E) RAILS (3) |
| (B) END PANELS (4) | (F) DOWELS (8) |
| (C) BACK PANELS (2) | (G) MACHINE SCREWS (22) |
| (D) BOTTOM PANELS (2) | (H) WRENCH |

HARDWARE ILLUSTRATION

Tools Required: Wrenchs (included)



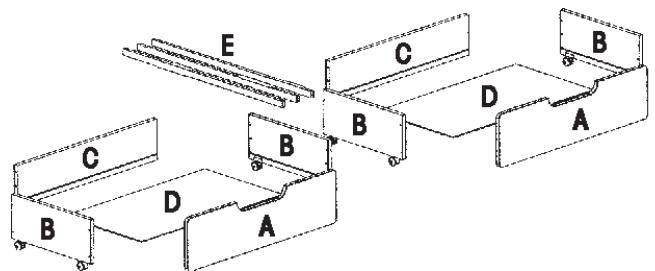
Thank you for purchasing this quality product. Be sure to check all packing material carefully for small parts which may have come loose inside the carton during shipment. Separate, identify, and count all parts and metal hardware. Compare with parts list to be sure all parts are present. If any part(s) are missing or damaged, phone, fax, or mail to our Customer Service Department. For efficient and speedy service, please indicate the model number and code letter of part(s) needed.

ATTENTION: SOME NUMBERED PARTS LISTED ON THE INSTRUCTION SHEET MAY NOT BE IN PARTS BAG AS THEY MAY ALREADY BE ASSEMBLED. CAREFULLY CHECK PARTS AND PACKING MATERIALS PRIOR TO ORDERING REPLACEMENTS.

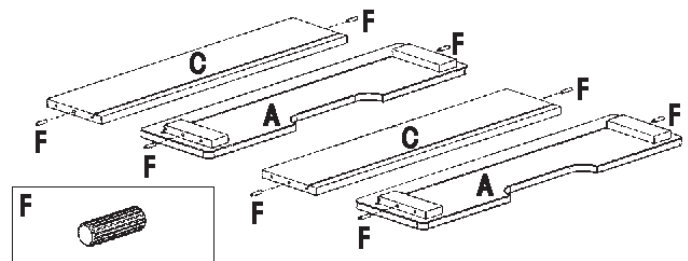
IMPORTANT NOTE: Follow instructions listed below in the proper sequence as numbered to assure fast, easy and correct assembly.

- Place parts on a soft cloth. Insert Dowels (F) into ends of Front and Back Panels (A,C). (See ill. #2)
- Insert Dowels (F) extending from Front Panels (A) into non-threaded holes in End Panels (B). Tighten Machine Screws (G) through End Panels (B) into Front Panels (A). NOTE: Grooves in End Panels (B) face inward. (See ill. #3)
- Slide Bottom Panels (D), smooth side facing upward, into grooves in End Panels (B) and Front Panel (A). (See ill. #4)
- Insert Dowels (F) extending from Back Panels (C) into non-threaded holes in End Panels (B). NOTE: Insert Bottom Panel (D) into groove in Back Panels (C). Tighten Machine Screws (G) through End Panels (B) into Back Panels (C). (See ill. #5)
- Insert Machine Screws (G) through ends of Rails (E) and tighten into pre-drilled holes at center of underside of bed. (See ill. #6)

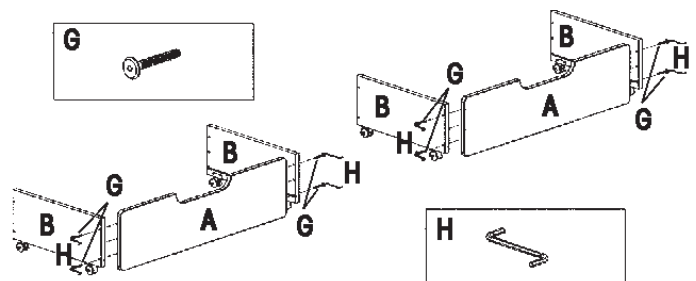
#1



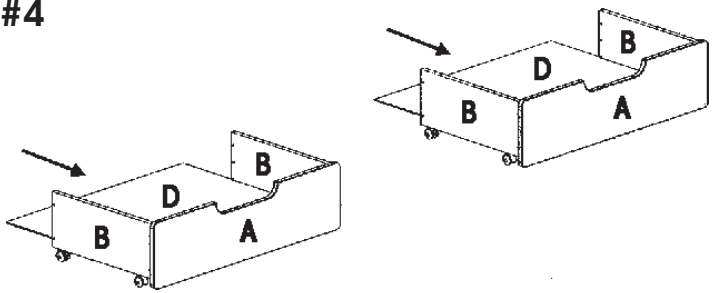
#2



#3



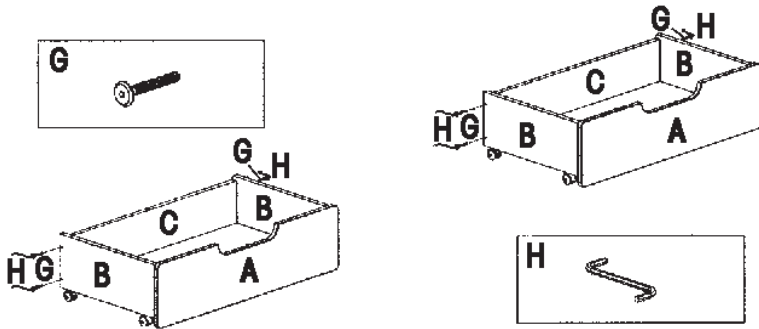
#4



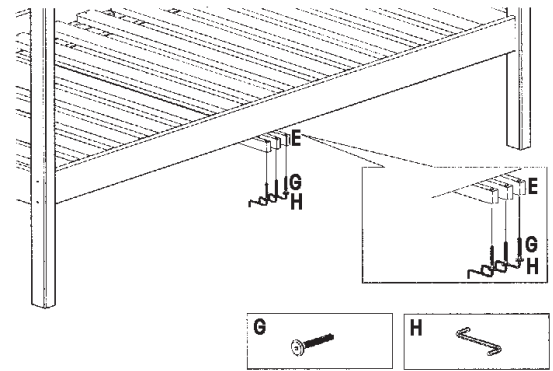
6. Align End Panels (B) between Rails (E) attached to bed. Gently push inward on front panels (A) until fully closed. (See ill. #7, #8)

7. To preserve your lustrous painted finish, wipe with a soft damp cloth. DO NOT use cleaners or abrasives as they may damage the finish.

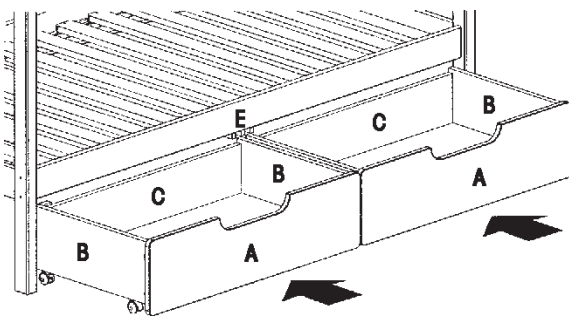
#5



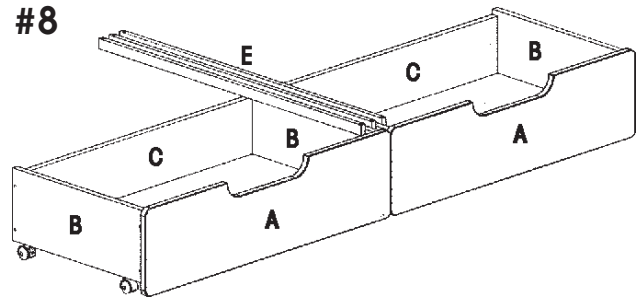
#6



#7



#8



IF YOU HAVE A PROBLEM, WE WANT TO HAVE THE OPPORTUNITY TO MAKE IT RIGHT!

Should there be any missing or defective part(s),

FAX this form to (310) 841-0842

or call and ask for Customer Service at (800) 622-4456 or (310) 204-2224. Have your model number and part code letter handy.

© 2001 Powell

MODEL NO.

K87 ARCH

K89 RANCH

Part Letter	Description	Quantity

Name _____

Address _____

Daytime Phone () _____

Reason for Replacement _____

Place of Purchase _____