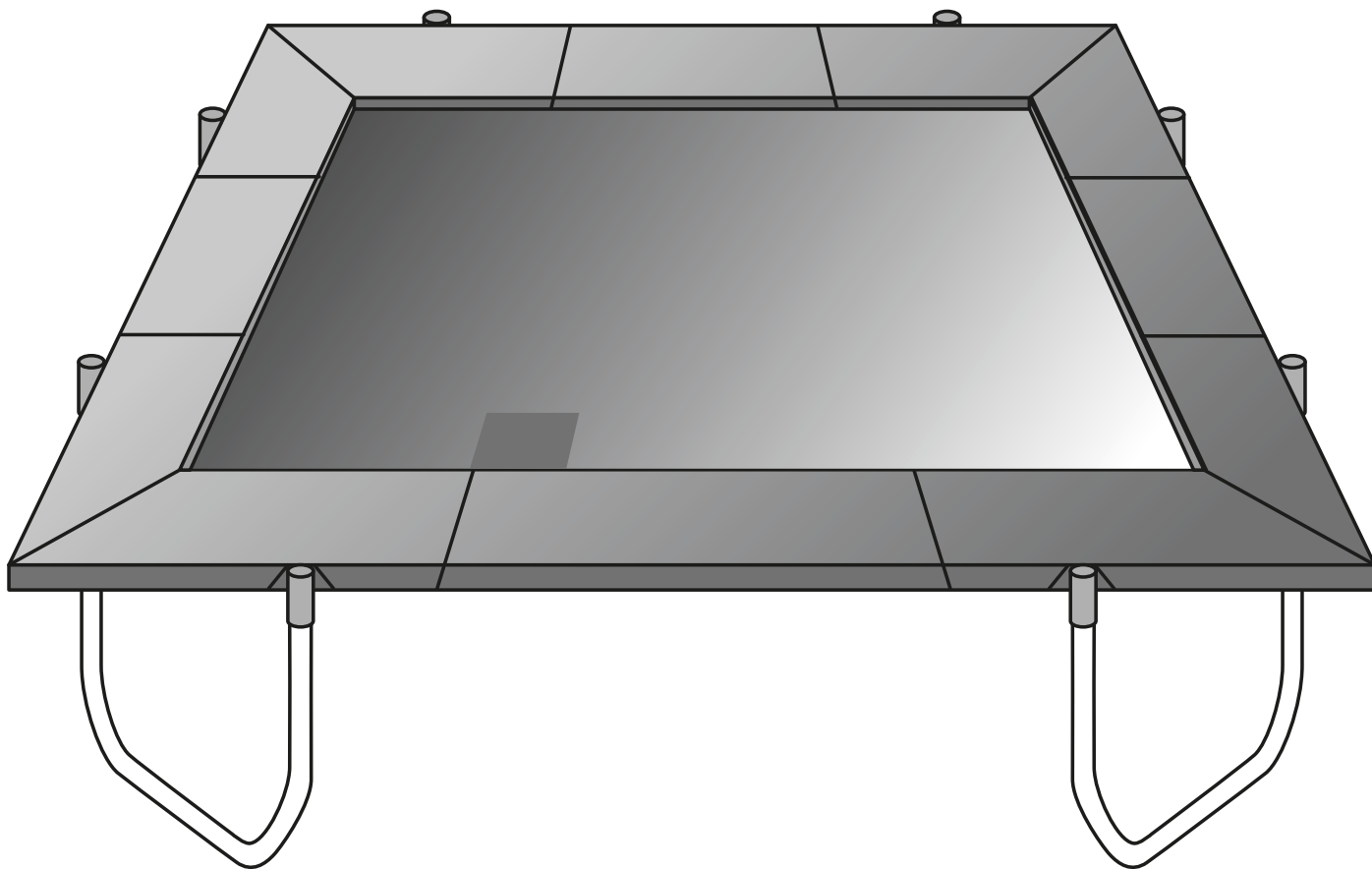


Assembly Installation, Care Maintenance and User Instructions Manual

Trampoline 13' Combo Manual # 1



Model _____

⚠ WARNING

Read all precautions and instructions in this manual before assembling this equipment. Save this manual for future reference. Maximum user weight 275 lbs.

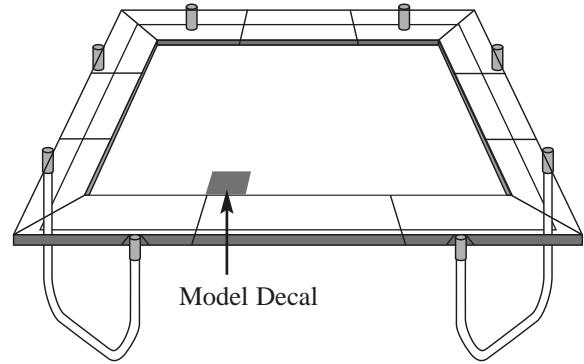


Model _____

A model decal is found under the jumping mat. Write the model in the space above.

CONTENTS

Important Precautions	3
Warning Label Placement	4
Before You Begin	4
Trampoline Safety Information.....	5
Methods of Accident Prevention.....	6
Use and Instructional Material.....	7
Instructional Program and Model Lessons	8
Basic Trampoline skills.....	9-10
Assembly.....	11-15
Care and Maintenance.....	16
Exploded Drawing and Part List.....	17
Ordering Replacement Parts	17
Limited Warranty	18



QUESTIONS?

If you have questions after reading this manual, please call our toll-free Customer Care Hot Line. The trained technicians on our Customer Care Hot Line will provide immediate assistance.

Customer Care Hot Line: 1-866-603-Jump (5867)
Monday—Friday, 8 a.m.—5 p.m. Mountain Time

REPLACEMENT PARTS

www.skywalkertrampoline.com

! WARNING

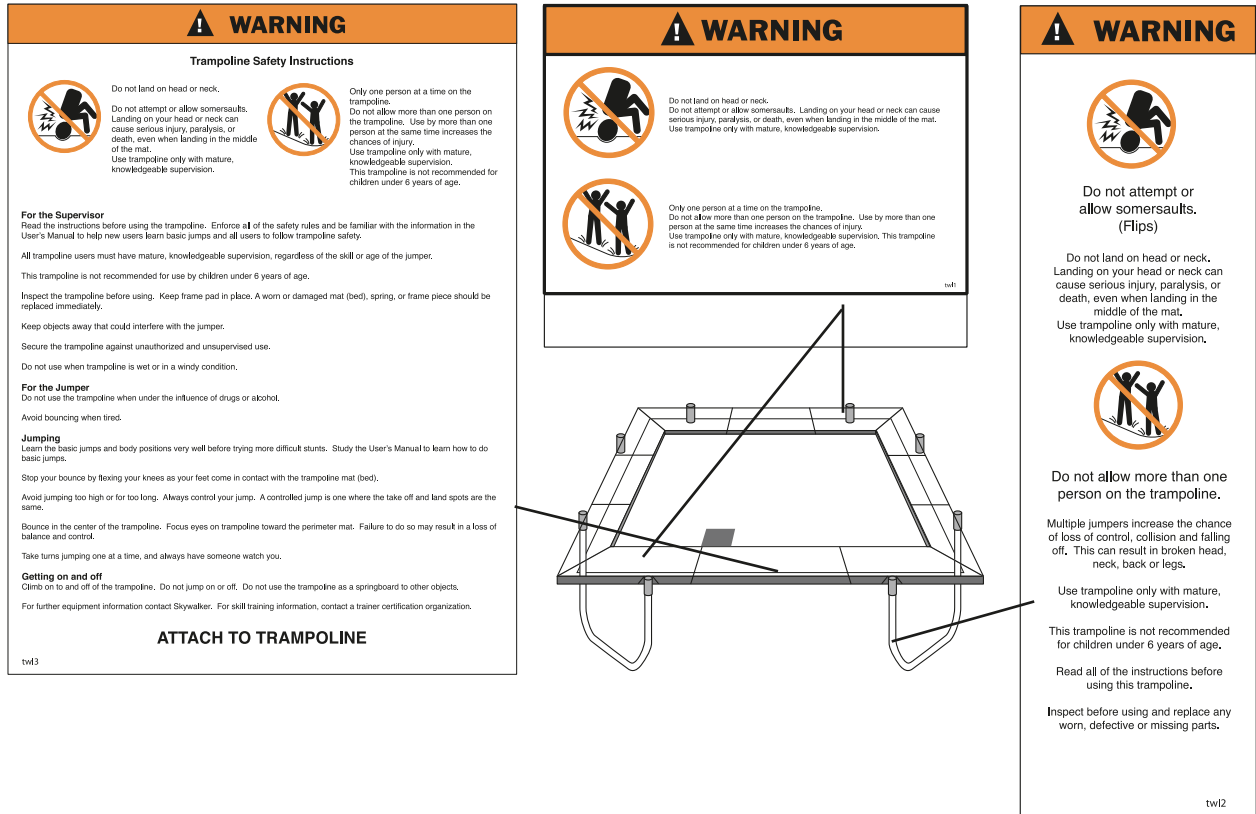
Read the assembly, installation, care, maintenance, and use instructions in this manual prior to assembling and using this trampoline. Save this manual for future reference.

IMPORTANT PRECAUTIONS

! WARNING: To reduce the risk of serious injury, read and follow all of the warnings, precautions, and instructions in this manual before you assemble (put together) and use the trampoline.

1. It is the responsibility of the owner and supervisors of this trampoline to make sure all users obey the safety instructions printed in this manual.
2. Be sure the trampoline is on a level surface before you use it.
3. Be sure there is enough clear space above the trampoline before you use it. It is best to have at least 24 feet of clear space above the ground. This space must be clear of wires, tree limbs, and any other possible hazards.
4. Lateral (sidewise) clearance is very important. Place the trampoline where it is not near walls, buildings, fences, sidewalks, and other play areas. Always keep a clear space on all sides of the trampoline.
5. Use the trampoline in an area with lots of light. If the trampoline is indoor or shady areas, you may need to use artificial (electrical) lighting in the area.
6. Be sure the trampoline is only used with your permission. Always have someone there to supervise when it is being used. If you use a ladder to get on the trampoline, be sure it is removed when the trampoline is not being used.
7. Always inspect the trampoline before it is used and replace any worn, defective, or missing parts. (Jumpers may be hurt if the trampoline is used when it is in poor condition.)
8. Remove any objects from under the trampoline.
9. This trampoline is made for users who do not weigh more than 275 pounds. Children less than 6 years old should not jump on it.
10. Do not let more than one person jump on the trampoline at the same time. Two or more people jumping at the same time can cause someone to be badly hurt.
11. If you do not use the trampoline correctly someone can be seriously hurt.
12. The trampoline should only be used when an older person, who knows the proper safety precautions, is there to supervise.
13. Always climb onto and off of the trampoline. Never jump onto it or off of it. Do not use the trampoline to bounce you to other objects.
14. You can get hurt if you hit the frame or fall through the springs when you get onto or off of the trampoline, or when you are jumping on it. Stay in the center of the mat when jumping. Be sure the frame pad is securely in place to cover the trampoline frame before you use it. The frame pad is not made to support your weight. Never step or jump directly onto the frame pad.
15. The trampoline is a bouncing device that bounces the jumper higher than he is used to jumping. It can also cause many different body movements than the jumper is used to. Bouncing off of the trampoline, hitting the frame or springs, or landing on the mat wrong can cause the jumper to get hurt.
16. Do not try to do somersaults (flips), or let someone else do somersaults (flips), as it can cause a broken head, neck, back, or leg. Even if you land in the middle of the mat, landing on your head or neck can cause you to be badly hurt, become paralyzed, or even die.
17. Jumpers who lose control of their jump may land on the mat wrong, land on the frame or springs, or fall off of the trampoline. Trying to do stunts you don't know how to do can cause you to get hurt.
18. Do not use the trampoline if you have been using alcohol or drugs. These things cause you to not be able to move as fast, have poor judgment, and have poor physical coordination.
19. Do not jump on the trampoline while you have or are holding something, especially something that is sharp or breakable.
20. Bounce only when the top of the mat is dry. There should be little or no air movement. The trampoline must not be used in gusty or strong winds.

WARNING LABEL PLACEMENT



The labels shown on this page have been attached to the trampoline in the indicated locations. The placard will be attached by the owner (see step 9 on page 15). If one of the labels or the placard is missing or illegible, call our Customer Care Hot Line toll-free at 1-866-603-Jump (5867), Monday through Friday, 8 a.m. until 5 p.m. Mountain Time, to order a free replacement label or placard. Attach the label or placard in the location shown.

Note: The labels and placard are not shown actual size.

BEFORE YOU BEGIN

Thank you for selecting a SKYWALKER trampoline. Our experienced designers at SKYWALKER have incorporated several new, previously non-existent, features into this trampoline. Such features as our improved frame construction, method of securing the frame mat to the trampoline frame and method of securing the enclosure netting to the jumping mat are all new and patent-pending. Each of these are related to safety.

SKYWALKER trampolines are designed and crafted to provide many years of fun and fitness. This trampoline comes equipped with warnings and instructions for the assembly, care, maintenance, and use of the trampoline. This information must be read by all trampoline supervisors and users before any person is allowed to jump on the trampoline.

If you have questions after reading this manual, please call our toll-free Customer Care Hot Line at 1-866-603-Jump (5867), Monday through Friday, 8 a.m. until 5 p.m. Mountain Time (excluding holidays). To help us assist you, please mention the model and name of the trampoline when calling. (See the inside cover of this manual.)

TRAMPOLINE SAFETY INFORMATION

In trampoline use, as in all active recreational sports, participants can be injured. However, there are steps that can be taken to reduce the risk of injury. In this section, primary accident patterns are identified and the responsibilities of supervisors and jumpers in accident prevention are described.

ACCIDENT CLASSIFICATION

Somersaults (flips): Landing on your head or neck, even in the middle of the trampoline mat, increases the risk of a broken back or neck, which can result in paralysis or death. Such events can occur when a jumper makes an error trying to perform a forward or backward somersault (flip). Do not perform somersaults (flips) on this backyard trampoline.

Multiple Jumpers: More than one jumper at a time on the trampoline increases the chance of a jumper becoming injured by losing control of his or her jump. Jumpers may collide with one another, fall off of the trampoline, fall onto or through the springs, or land incorrectly on the mat. The jumper weighing the least is the jumper most likely to be injured.

Mounting and Dismounting (Getting On and Off): The trampoline mat is over 20 inches above ground level. Jumping from the trampoline to the ground or any other surface may result in injury. Jumping onto the trampoline from a roof, deck, or other object also presents a risk of injury. Smaller children may need assistance getting onto or down from the trampoline. Climb carefully onto and off of the trampoline. Do not step onto the springs or the frame pad. Do not grasp the frame pad to pull yourself onto the trampoline.

Striking the Frame or the Springs: Injury may result from hitting the frame or falling through the springs while jumping or getting onto or off of the trampoline. Stay in the center of the mat when jumping. Be sure to keep the frame pad in place to cover the frame. The frame pad is not made or intended to support the weight of the trampoline user. Do not step or jump directly onto the frame pad.

Loss of Control: Jumpers who lose control of their jumps may land on the mat incorrectly, land on the frame or springs, or fall off of the trampoline. A controlled jump is one where the landing is in the same spot as the takeoff. Before learning a more difficult stunt, you should be able to do the one before over and over with control. Attempting a stunt beyond present skill levels increases the chance of loss of control. To regain control and stop your jump, bend your knees sharply when you land.

Alcohol or Drug Use: The chance of injury increases when a jumper has consumed alcohol or taken drugs. These substances impair a person's reaction time, judgment, and physical coordination.

Encountering Objects: Jumping on a trampoline while other people, pets, or objects are underneath it will increase the chance of getting hurt. Jumping while holding or having an object on the trampoline, particularly one that is sharp or breakable, will increase the chance of injury. Placing a trampoline too close to overhead electrical wires, tree limbs, or other objects can increase the chance of injury.

Poor Maintenance of the Trampoline: Jumpers may be injured if a trampoline is used when it is in poor condition. A torn mat, bent frame, broken spring, or missing frame pad, for example, should be replaced before anyone is allowed to jump. Inspect the trampoline before each use.

Weather Conditions: A wet trampoline mat is too slippery for safe jumping. Gusty or high winds can cause jumpers to lose control. To reduce the chance of injury, use the trampoline only when the weather is good.

Access: To prevent access to the trampoline by unsupervised smaller children, the optional access ladder should always be taken away and stored in a safe place when the trampoline is not in use.

METHODS OF ACCIDENT PREVENTION

The Supervisor's Role in Preventing Accidents

It is the responsibility of the supervisors of trampoline users to provide knowledgeable and mature supervision. They need to know and enforce all of the rules and warnings printed in this manual to minimize the likelihood of accidents and injuries. They also need to inform users of these rules. During periods of time when supervision is unavailable or inadequate, this may require that the trampoline is taken down, placed in a secure area, or otherwise secured against unauthorized use. Another option that may be considered is covering the trampoline with a heavy tarp that can be secured with locks and chains. It is the responsibility of the supervisor to make sure that the placard with TRAMPOLINE SAFETY INSTRUCTIONS (see step 9 on page 15) is kept posted on the trampoline and that jumpers are informed about these instructions.

The Jumper's Role in Preventing Accidents

Education on the part of the user is a must for safety. Users must first learn a low, controlled bounce and then learn the basic landing positions and combinations before proceeding to intermediate skills. Jumpers must understand why they have to master "control" before they can start thinking about other moves. Understanding the proper progression of skills in jumping on a trampoline must be the first lesson. Review this manual to learn about the basic techniques for using the trampoline. Follow the rules on the placard with TRAMPOLINE SAFETY INSTRUCTIONS (see step 9 on page 15). For further information or additional instructional materials, contact a certified trampoline instructor.

TRAMPOLINE SAFETY INSTRUCTIONS

For the Supervisor

Read the instructions before using the trampoline. Enforce all of the safety rules. Become familiar with the information in this manual so you can help new users learn basic jumps and all users follow trampoline safety. All trampoline users must have mature, knowledgeable supervision, regardless of their skill or age.

This trampoline is not recommended for use by children under 6 years of age.

Inspect the trampoline before using it. Do not use the trampoline without the frame pad securely in place to cover the frame. Do not use the trampoline when it is wet or in a windy condition. A worn or damaged mat, spring, or frame piece should be replaced immediately.

Keep objects away that could interfere with the jumper.

Secure the trampoline against unauthorized and unsupervised use.

For the Jumper

Do not use the trampoline when you have been using drugs or alcohol.

JUMPING

Learn fundamental jumps and body positions thoroughly before trying more advanced skills. Know your own limits in performing each of the trampoline jumps. Study this manual to learn how to do basic jumps.

Stop your bounce by flexing your knees as your feet come in contact with the trampoline mat. Learn this skill before attempting any others.

Avoid jumping too high or for too long. Always control your jump. A controlled jump is one where the landing is in the same spot as the takeoff.

Bounce in the center of the trampoline. Focus eyes on trampoline toward the perimeter. If you don't do this you may lose your balance and control.

Take turns jumping, one at a time, and always have someone watch you.

GETTING ON AND OFF

Climb onto and off of the trampoline. Do not jump onto or off of it. Do not use the trampoline as a springboard to jump to other objects or places.

For additional information regarding equipment, contact SKYWALKER. For additional information regarding skill training, contact a trainer certification organization.

USE AND INSTRUCTIONAL MATERIAL

OVERVIEW OF TRAMPOLINE USE

The first periods of trampoline use should focus on learning fundamental body positions and practicing the eight basic bounces that are described on pages 9 and 10.

During this learning period, jumpers should practice these basic techniques and perfect them. Braking, or checking the bounce, should be taught first and stressed as a safety measure. Jumpers should brake their jump whenever they start to lose their balance or control. This is done by simply flexing the knees sharply upon landing and absorbing the upward thrust of the mat. This allows the jumper to stop suddenly and avoid losing control.

With trampoline use, the takeoff point and landing point of a good, controlled jump are in the same spot. An exercise is considered learned only when a jumper is able to perform it correctly time after time. Jumpers should never go on to any advanced stunt until they can perform all previous stunts correctly each time.

Allow each jumper a brief turn on the trampoline. Extended bouncing exposes an overtired user to an increased risk of injury. Longer turns tend to lessen the interest of others waiting to jump. Clothing should consist of a T-shirt and shorts. Jumpers should wear regulation gymnastic shoes or heavy socks, or they may jump barefoot. Street shoes or tennis shoes should not be worn on the trampoline. Beginning jumpers may wish to wear loose-fitting protective clothes, such as a long-sleeve shirt and pants, until correct landings are mastered. This will reduce the chance of mat (bed) burns from improper landings on elbows and knees. No hard-sole shoes should be worn, as they cause extra wear on the trampoline mat.

Mounting and dismounting (getting on and off) properly should be a strict rule from the beginning. Users should climb onto the trampoline by placing their hands on the frame and stepping or rolling up onto the frame, across the springs, and onto the mat. They should not step directly on the frame pad or hold on to the frame pad when getting onto or off of the trampoline. Users should always place their hands on the frame while getting on or off. To get off, jumpers should walk to the side of the mat, bend over and place one hand on the frame, and then step from the mat to the ground. If you have installed the optional ladder, its rungs can be used to get on or off. Always face the ladder and place your hands on the frame. Make sure your foot has secure contact with the ladder rung when using it.

Reckless bouncing should not be permitted. All skills should be learned at moderate heights. Control, rather than height, should be emphasized. Jumpers should be forbidden to practice alone and unsupervised.

INSTRUCTIONAL PROGRAM AND MODEL LESSONS

The following lessons are examples of an instructional program. They should follow a complete discussion and demonstration of body mechanics between the supervisor and the student(s). See pages 9 and 10 for descriptions of basic trampoline skills.

Lesson 1

1. Mounting and dismounting (getting on and off)—Demonstration and practice of proper techniques.
2. Fundamental bounce—Demonstration and practice.
3. Braking (stopping the bounce)—Demonstration and practice. Braking on command.
4. Hand and knee drop—Demonstration and practice, stressing four-point landing and alignment.

Lesson 2

1. Review and practice of skills already learned.
2. Knee drop—Half twist to the right, to the left, to the feet, and then to the knees.
3. Seat drop—Half twist to the feet. Seat drop, knee drop, hand and knee drop, repeat.

Lesson 3

1. Review and practice of skills already learned.
2. Front drop—To save time and avoid mat (bed) burns, all students should be requested to assume the front drop position on the floor while the instructor checks for faults. Suggested progression: from hand and knee bounce, the body is extended for the landing in the front drop position, and the rebound is made to the feet.
3. Practice routine—Hand and knee drop, front drop, feet, seat drop, half twist to feet.

Lesson 4

1. Review and practice of skills already learned.
2. Back drop—Demonstration, emphasizing the forward thrust of the hips by arching the body as one leg is brought forward from the standing (not bouncing) position, and the drop to the back with the chin held forward to the chest and the eyes forward on the frame pad. Spotting this skill is most important. Demonstration of back drop with low bounce and practice of both techniques.

Lesson 5

1. Review and practice of skills already learned, encouraging original routines based on them.
2. Half turntable—Start from the front drop position and push to the left or right with the hands. Turn the head and shoulders in the same direction. Keep the back parallel to the mat and the head up. After completing a half turn, land in the front drop position.

Lesson 6

1. Swivel hips—Suggested progression: seat drop, feet, half twist, repeat; seat drop, half twist to feet, repeat; seat drop, half twist to seat drop.
2. Half turntable.

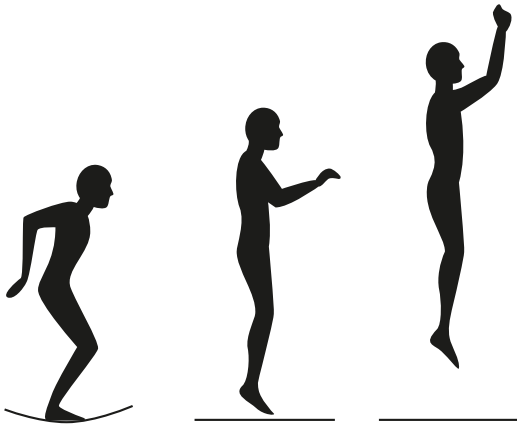
Lesson 7

The student should now be encouraged to design and organize routines, with emphasis on good form. The instructor may judge or grade students and arrange groupings for further instruction accordingly. To stimulate interest in competition, the game of “Trampoline Horse” can be introduced. Before the game begins, students must count off. To start the game, student number 1 performs a stunt. Student number 2 then mounts the trampoline, performs the same stunt and adds a second stunt. Student number 3 mounts and performs stunts 1 and 2 and adds a third stunt. Thus the series of stunts is continuously lengthened. The first person to miss a stunt in the series assumes the letter “H” and starts a new series with a stunt. If a person misses again, he assumes the letter “O.” When a person accumulates “H-O-R-S-E,” he or she is eliminated from the game. The last remaining contestant is the winner. Lesson planning from this point on should be facilitated by contacting a certified trampoline instructor.

BASIC TRAMPOLINE SKILLS

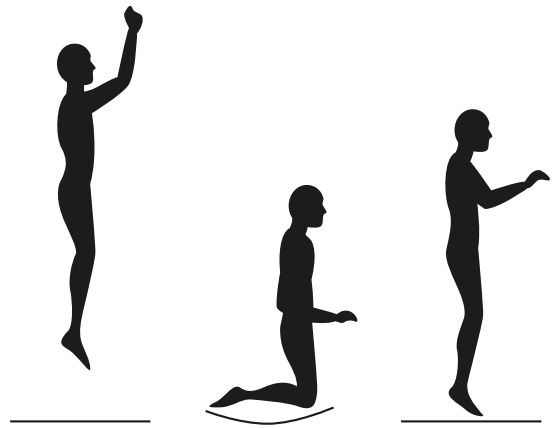
Fundamental Bounce

1. Start from a standing position with your head erect and your eyes on the frame pad.
2. Swing your arms forward and up in a circular motion.
3. Bring your feet together and point your toes downward while in the air.
4. Keep your feet about 15 inches apart when landing on the mat.



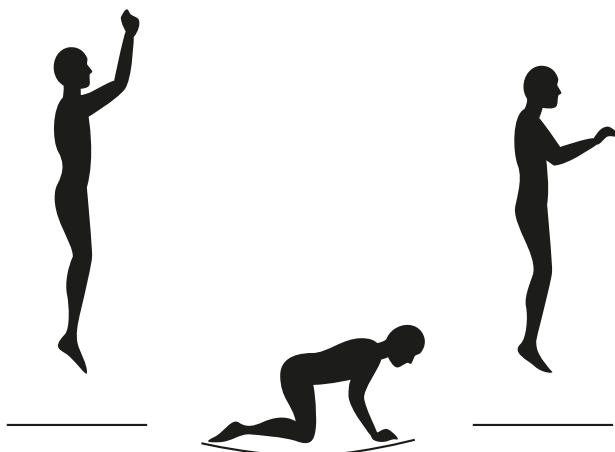
Knee Drop

1. Start bouncing from a standing position, keeping your eyes on the frame pad.
2. Land on your knees, keeping your back straight and your body erect.
3. Come back up to an erect position.



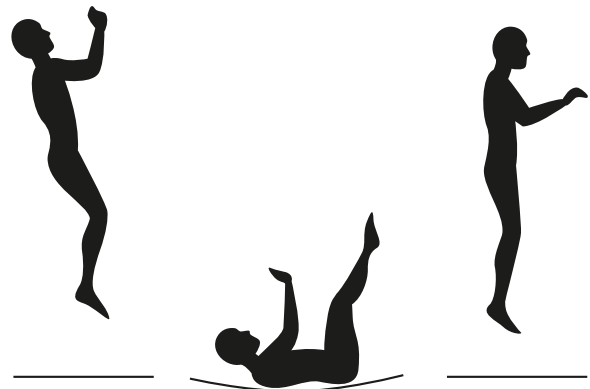
Hand and Knee Drop

1. Start bouncing from a standing position, keeping your eyes on the frame pad.
2. Land on the mat on your hands and knees.
3. Push with your hands and come back up to an erect position.



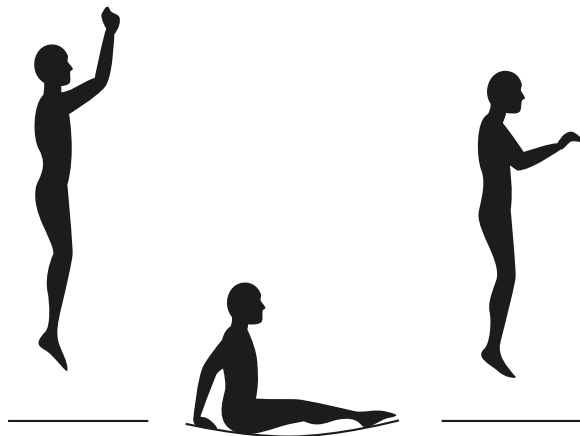
Back Drop

1. Start from a low bounce and land on your back.
2. Keep your chin forward on your chest as you land.
3. Kick forward and up with your legs to return to an erect position.



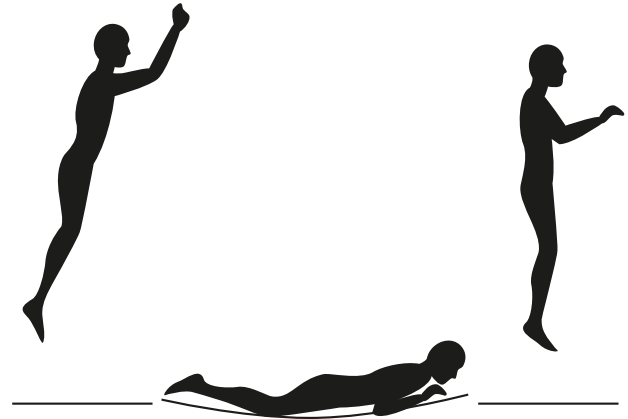
Seat Drop

1. Land in a sitting position with your legs parallel to the mat.
2. Place your hands on the mat beside your hips.
3. Push with your hands to return to an erect position.



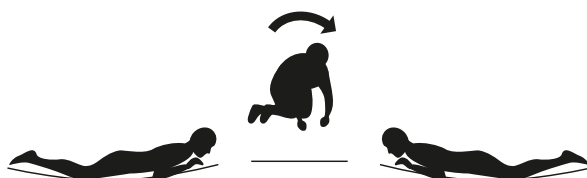
Front Drop

1. Start from a low bounce and land on the mat in a prone position.
2. Keep your head up and your arms extended forward on the mat.
3. Push with your arms to return to an erect position.



Half Turntable

1. Start from the front drop position and push to the left or right with your arms to begin turning your body in the opposite direction.
2. Turn your head and shoulders toward the direction that your body is turning.
3. Keep your back parallel to the mat and your head up.
4. After completing a half turn, land in the front drop position.



Swivel Hips

1. Start with a seat drop.
2. Turn your head to the left or right and swing your arms up in the same direction.
3. Turn your hips in the same direction as your head and arms, completing a twist.
4. Land in the seat drop position.



ASSEMBLY

IMPORTANT ASSEMBLY INFORMATION

- Remove all components from each box and match all similar shaped components before assembly.
- Need phillips screw driver and 2 adjustable wrenches (putting the trampoline together). A rubber mallet may make assembly easier, however.
- Assembly requires two persons.
- Wear gloves to protect your hands from pinch points during assembly.

TRAMPOLINE PLACEMENT

1. Place the trampoline on a level surface before using it.
2. Adequate overhead clearance is essential. A minimum of 24 feet from ground level is best. Provide clearance for wires, tree limbs, and other possible hazards. Lateral (sideways) clearance is also essential. Place the trampoline away from walls, structures, fences, and other play areas. Always have a clear space on all sides of the trampoline.
3. Use the trampoline in an area with lots of light. If the trampoline is indoor or shady areas, you may need to use artificial (electrical) lighting in the area.
4. Secure the trampoline against unauthorized and unsupervised use.
5. Remove any objects from beneath the trampoline.
6. The owner and supervisors of the trampoline are responsible to make all users aware of practices specified in this manual.

Please locate tubing for steps 1 and 2 on page 12.

1. Make sure that you understand the information in the box at the top of this page.

Lay one middle Tube (3) and two Frame Tubes (2) with four square holes (A and B in the inset drawing) and two sockets (17), one corner frame tube (1) on the ground in the position shown. Make sure the Frame Tubes are turned so the small holes (spring holes) are facing the ground.

NOTE: YOU ARE BUILDING THE TRAMPOLINE CORNERS UPSIDE DOWN.

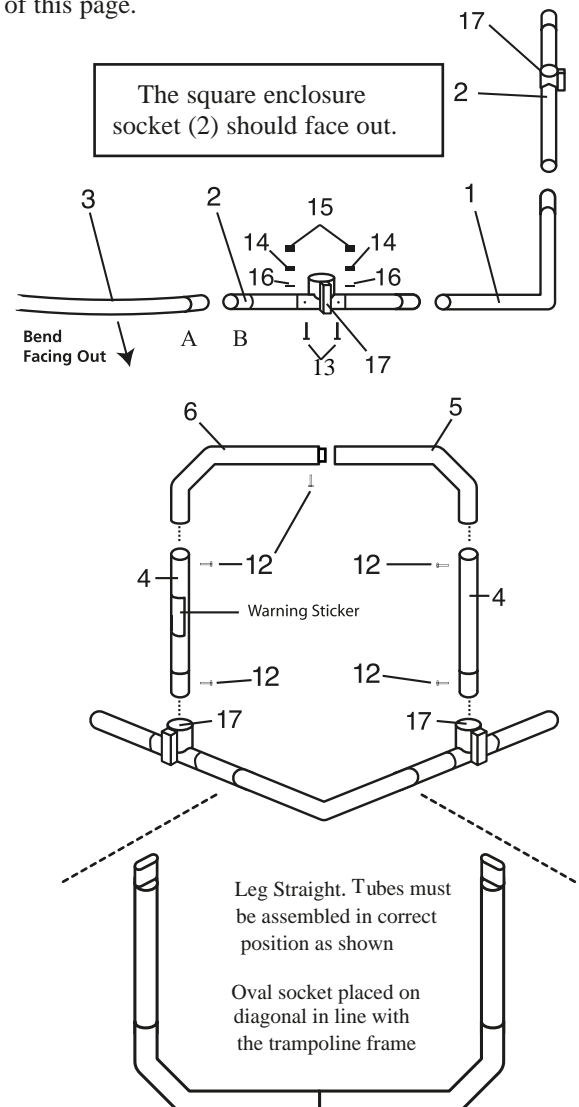
Secure the Leg Socket (17) to the frame tube (2) using two M10X100 (13) bolts, two M10 washers (16) and two M10 nuts (14). Don't tighten the nut yet. Repeat this step with another socket. Insert one end of the frame Tube (2) with socket (17) into the middle Tube (3), the other end is inserted into the corner frame tube (1). Then attach another frame tube (2) with socket to the corner frame tube. The frame Tubes with sockets should now appear as shown in step 2 below.

Note: Make sure all pieces are completely inserted. Middle Tube (3) is slightly bent. This is normal. The piece is not damaged. Make sure that bend is to the outside.

2. Assemble Male curved Leg Brace (6) to the Female leg (5) before assembling the rest of the legs. Secure Female leg (5) sections with #8 screws (12).

Insert one end of the Leg Post (4) into the Leg Braces (5,6) assembled above. Insert the other end of the Legs into the Sockets. Make sure that the screw holes on the leg posts (4) are facing inwards. Attach both legs to the Leg Braces (5,6) using the included #8 screws (12). Don't tighten the screws yet. Place one side of the assembled leg into the socket of the trampoline frame. Have one person hold the attached leg. Pull the assembled leg out and fit the other side of the straight leg into the other socket. Securely tighten with #8 screws (12). Tighten all the nuts and screws used in step 1 and 2. Then place end caps (15) (shown in step 1) on the end of the bolts that are not covered by the nuts.

Repeat steps 1 and 2 three additional times to assemble the other three leg sections.



**Leg Post:
Key #4**



3" Diameter

**Corner Tube
Key #1**



**2.5" Diameter
w/ spring holes**

**Frame tube with
square holes:**



w/ spring holes

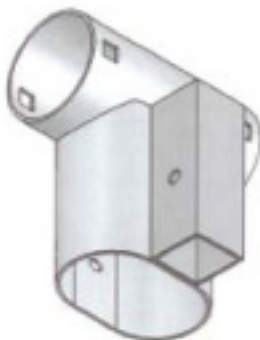
Key #2

2.5" Diameter

**Middle tube with bend:
Key #3**



**2.5" Diameter
w/ spring holes**



**Leg socket
key # 17**



**Female leg
Key #5**

**3" Diameter
for legs**

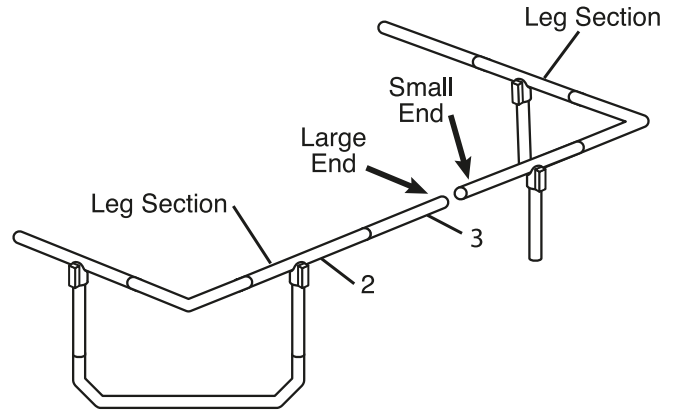


**Male leg
Key #6**

Note: Make sure to turn corners back over, so that the spring holes on the main frame are facing up.

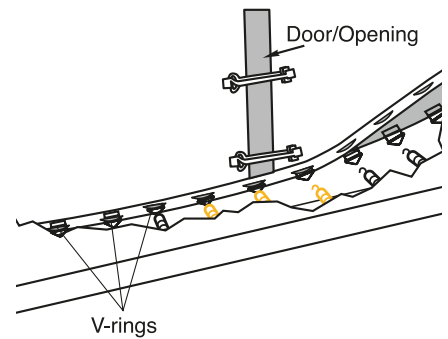
3. Note: This step requires two persons. During this step, you will connect the four assembled leg sections

Stand two leg sections and hold them in the positions shown.. Insert the small end of the Top Tube with Socket on the other leg section. Repeat this step until all four leg sections are connected. When this step is completed, the frame will be fully assembled and freestanding.



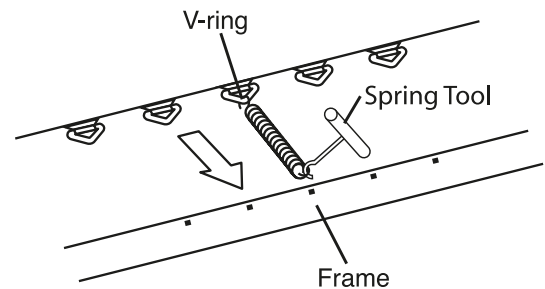
4. Lay the Bed (Mat) (7) on the ground inside the assembled frame. Make sure that the two warning decals (not shown) are on top of the Bed (Mat). Enclosure net is up.

This unit is a combo unit. The enclosure net is pre-installed on the Bed (Mat) (7) at the factory. Inspect the attachments of the enclosure Netting to the trampoline mat (bed). Make certain each of the V-rings on the trampoline mat (bed) is threaded through the corresponding "buttonhole" in the Netting. Locate enclosure net opening and position the opening over the middle springs (9). Count 11 springs in from corner and center over spring hole on frame.



Note: There are 84 V-rings around the edge of the Bed (Mat) (7) and 84 holes around the top of the frame. In Steps 4 and 5 you will attach the Bed (Mat) (7) to the frame, using 72 silver color springs (8) and 12 middle gold color springs (9). 3 middle springs are positioned at the center of each side. Go to step 5 to install springs.

Caution: It is wise to wear leather gloves while attaching the Springs. Be careful where you place your hands as the Springs and frame joints can pinch.



5. Attach the Springs as follows:

Hook one end of a Spring into a V-ring. (See the inset drawing.) Hook the Spring tool to the free end of the first Spring. Using the Spring Tool pull the first Spring until it reaches the frame. Push the end of the first Spring into a hole in the frame. Unhook the Spring Tool.

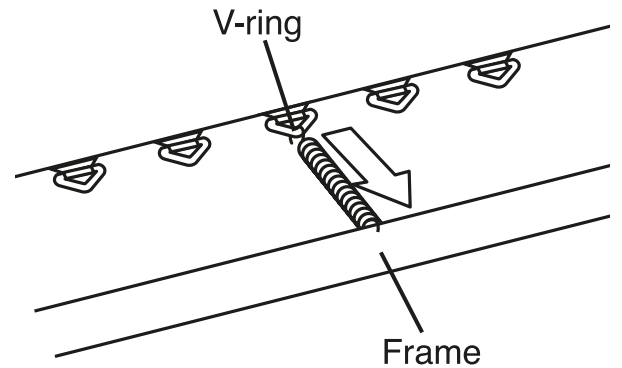
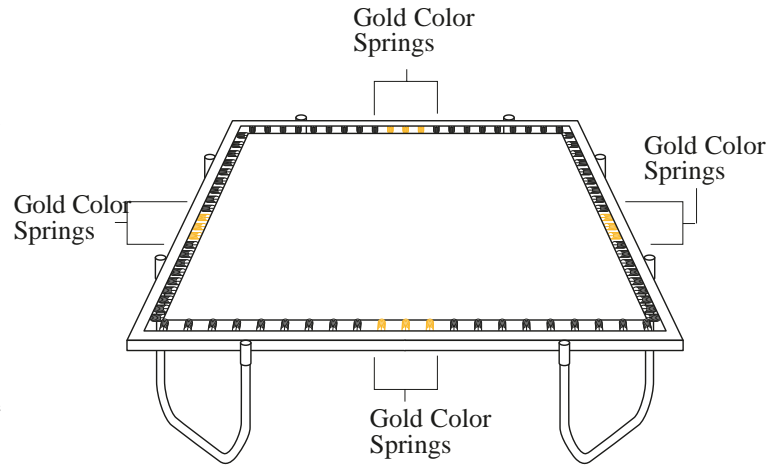
Attach 2 silver color springs to each corner of the mat. There should now be a total of 8 springs attached. Place the middle springs (Gold Colored) next. To place the middle springs count in 11 spaces from corner and attach one middle spring. Do this on each side. The other middle gold color springs go on each side of the center spring.

Note: Make sure the small opening of gold color spring hook is attached to the V-Ring.

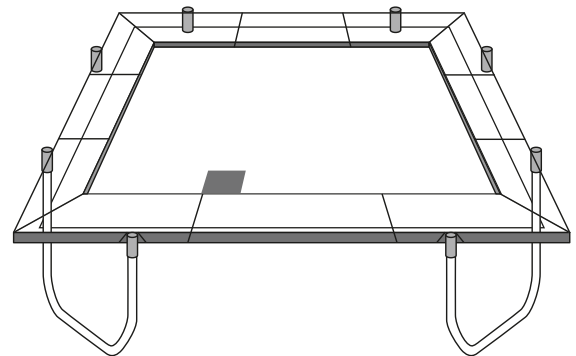
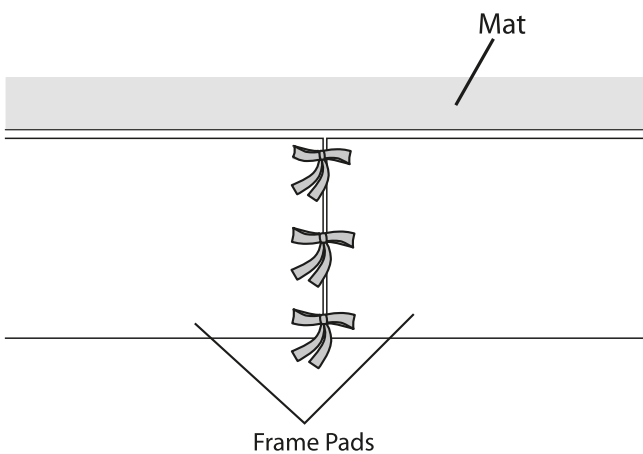
To place the remaining springs count exactly 5 V-rings and 5 frame holes in a clockwise direction from one of the corners. Repeat this on all sides. Attach remaining Springs (not shown) evenly between the attached Springs until all springs are attached.

Safety Note: For the Bed (Mat) (7) to have the even tension necessary for safety in jumping, the Springs must be attached as described. As you attach Springs, carefully count the V-rings and frame holes. If a V-ring or hole is skipped, reattach the Springs in the proper position.

6. Lay one of the two frame Pad (10) on the frame. Adjust the position of the Frame Pad so that the slits are directly above the frames (2), as shown. Securely tie the two frame pads together using the attached straps.



Inset drawing



Safety Note: Do not use the trampoline without the Frame Pad. The Frame Pad comes in 2 pieces. The Frame Pad is designed to reduce the possibility of injuries due to jumpers coming in contact with the trampoline frame. If you do not have a Frame Pad, contact your dealer to obtain one. Properly install the Frame Pad before using the trampoline.

7. Look under the trampoline pad and locate the straps and sleeves attached to the underside of the Frame Pad. Position each outer strap so that one strap is on each side of the frame as shown. Position each sleeve above a spring, disconnect the spring, slide the spring through the sleeve, and reattach to frame as shown.

Repeat this with the remaining sleeves (not shown).

Refer to the inset drawing. Thread one of the inner frame straps through a V-ring and tie down. Repeat this with all the inner straps along the inside of the frame pad.

Arrange the outside straps so that the straps encircle the frame. Thread strap through buckle and securely tighten.

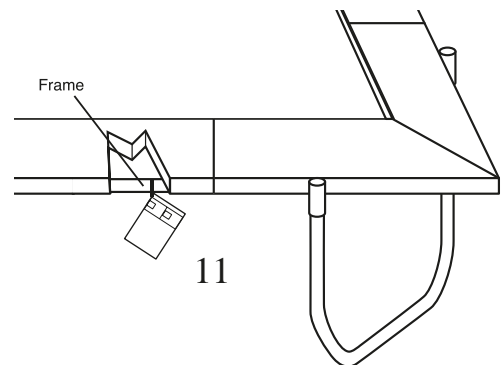
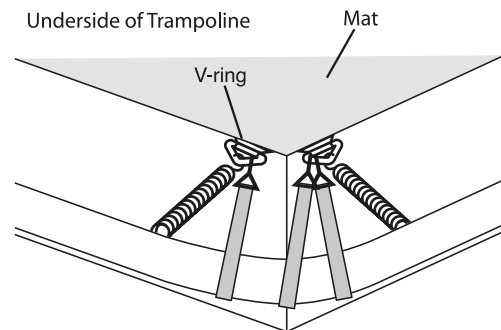
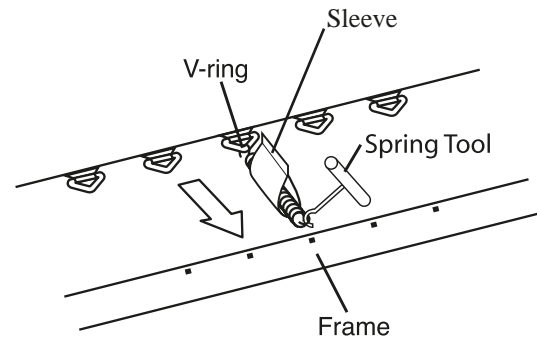
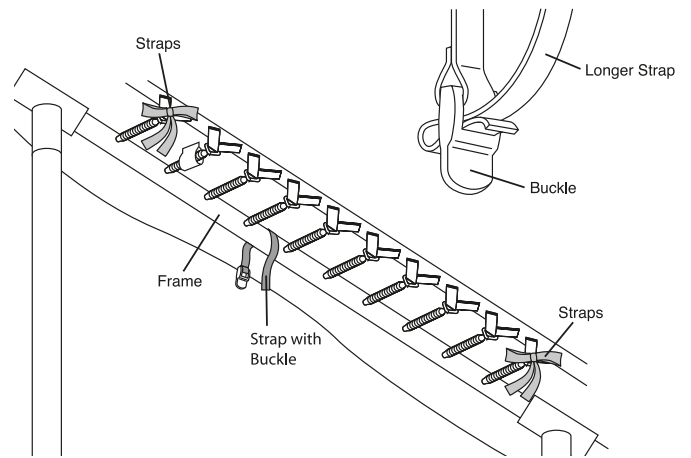
Repeat this step with the remaining straps (not shown).

8. Secure the corners of the Frame Pads to the frame using the attached straps. Hook the straps to the V-rings at each corner.

9. Using the included plastic tie, attach the Safety Placard (11) to the frame near the enclosure opening.

The trampoline is now fully assembled. Make sure that all parts are securely attached. Familiarize yourself and all users of the trampoline with the safety precautions, use and instructional materials, and care and maintenance instructions in this manual before using the trampoline.

10. Go to manual #2 to assemble the enclosure. Read all precautions and instructions in manual #2 before assembling the enclosure.



DISASSEMBLY (TAKING APART)

To disassemble (take apart) the trampoline, follow assembly steps 1 through 8 in reverse order. Do not attempt to disassemble any frame parts before the springs and the mat have been removed. Use gloves to protect your hands from pinch points while taking the trampoline apart.

CARE AND MAINTENANCE

CARE

Do not allow pets on the trampoline, as their claws may snag and pull the mat material or damage the frame pad.

The trampoline is intended to be used by one person at a time who weighs not more than 275 pounds. The user should be either barefoot, wearing socks, or wearing gymnastic shoes. Street shoes or tennis shoes should not be worn on the trampoline. The user should remove all sharp objects from his or her person that may cause injury or damage to the mat. Heavy, sharp, or pointed hard objects should never touch the mat.

MAINTENANCE

Your trampoline was manufactured using quality materials and crafted to provide you and your family with many years of enjoyment and exercise. Proper maintenance and care will help to prolong the life of the trampoline and reduce the possibility of injury. The following guidelines should always be followed.

Inspect the trampoline before each use, and replace any worn, defective, or missing parts. The following conditions could represent possible hazards and increase the danger of personal injury:

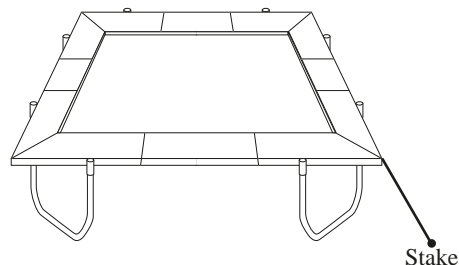
- a missing, improperly positioned, or insecurely attached frame pad
- punctures, frays, tears, or holes worn in the mat or frame pad
- deterioration (wearing out) in the stitching or fabric of the mat or frame pad
- ruptured or missing springs
- a bent or broken frame or leg
- a sagging mat
- sharp points on the frame or suspension system

If any of these conditions exist, the trampoline should be taken apart or otherwise protected against use until the condition is fixed.

SPECIAL CONSIDERATIONS

High Wind

The trampoline can be blown around by high winds. If you expect high winds, the trampoline should be moved to a sheltered location, taken apart, or tied down to the ground with ropes and stakes (not included). At least four ropes and four stakes should be used. Make sure to attach the ropes to the top of the frame; do not simply secure the legs or the bases to the ground, as they can separate from the frame sockets. The tops of the stakes should be at ground level so they will not create a tripping hazard. In addition, the tops of the stakes should be covered, if necessary, so that users will not be injured by falling onto the stakes.



Moving the Trampoline

If the trampoline needs to be moved, it should be moved by two persons, kept horizontal, and lifted slightly. If necessary, the trampoline can be taken apart for moving. To take the trampoline apart, follow the assembly steps in reverse order (see pages 11 to 15). Do not attempt to take the frame sections, legs, or bases apart before the mat and springs have been removed.

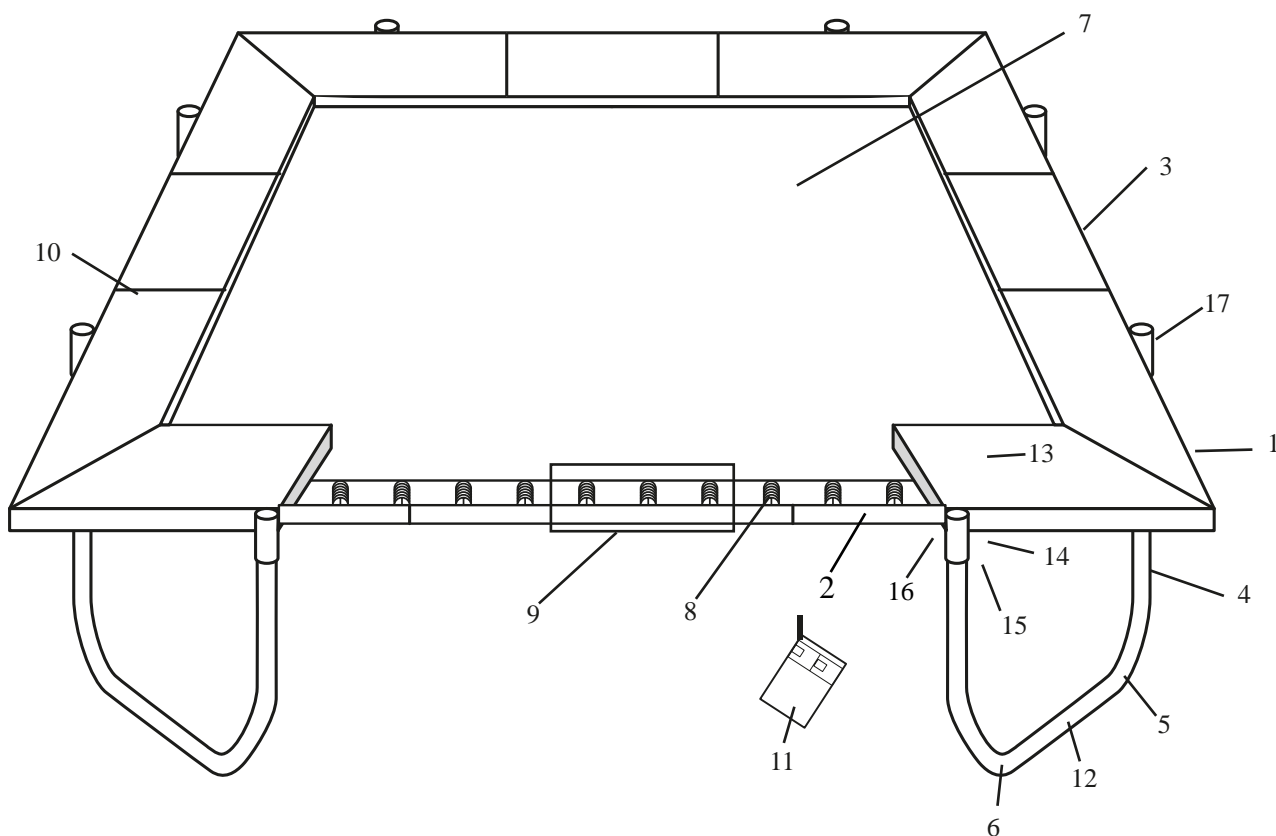
EXPLODED DRAWING AND PARTS LIST

Key

No.	Qty.	Description
1	4	Corner Frame Pieces
2	8	Frame Tube with Square hole
3	4	Middle Tube
4	8	Leg Posts
5	4	Female Curved Legs
6	4	Male Curved Legs
7	1	Stitched Bed with 84 V-Rings
8	72	Silver Color Springs
9	12	Gold Color Springs
10	2	Frame Pads
11	1	User's Manual and Safety Placard
12	20	#8 Screws
13	16	M10X80 Bolt
14	16	M10 Nut
15	16	Bolt End Cap
16	16	M10 Washer
17	8	Socket
*	1	Set of ASTM Frame Labels

* These parts are not illustrated.

Specifications are subject to change without notice.



ORDERING REPLACEMENT PARTS

To order replacement parts, visit our web site at www.skywalkertrampoline.com or call our toll-free Customer Care Hot Line at 1-866-603-Jump (5867), Monday through Friday, 8 a.m. until 5 p.m. Mountain Time (excluding holidays). To help us assist you, please provide the following information when calling:

- the MODEL of the trampoline (see the front cover of this manual)
- the KEY NUMBER and DESCRIPTION of the part (see the PART LIST above)
- the quantity needed
- the desired method of shipping

LIMITED WARRANTY

SKYWALKER warrants its trampoline products to be free from defects in material and workmanship under normal use and service conditions. The steel frame is a **limited lifetime warranty**. All other parts are warranted for ninety (90) days after the date of purchase.

All warranty coverage extends only to the original retail purchaser from the date of purchase. SKYWALKER's obligation under this Warranty is limited to replacing or repairing, at SKYWALKER's option, the product at one of its authorized service centers. All products for which a warranty claim is made must be received by SKYWALKER at one of its authorized service centers, freight prepaid, and accompanied by sufficient proof of purchase. All returns must be preauthorized by SKYWALKER. Preauthorization may be obtained by calling SKYWALKER's Customer Care Hot Line at 1-866-603-Jump (5867). This Warranty does not extend to any product or damage to a product caused by or attributable to freight damage, abuse, misuse, improper or abnormal usage, or repairs not provided by a SKYWALKER authorized service center, or to products used for commercial or rental purposes. No other Warranty beyond that specifically set forth above is authorized by SKYWALKER.

SKYWALKER IS NOT RESPONSIBLE OR LIABLE FOR INDIRECT, SPECIAL OR CONSEQUENTIAL DAMAGES ARISING OUT OF OR IN CONNECTION WITH THE USE OR PERFORMANCE OF THE PRODUCT OR OTHER DAMAGES WITH RESPECT TO ANY ECONOMIC LOSS, LOSS OF PROPERTY, LOSS OF REVENUE OR PROFITS, LOSS OF ENJOYMENT OR USE, COST OF REMOVAL, INSTALLATION OR OTHER CONSEQUENTIAL DAMAGES. SOME STATES DO NOT ALLOW THE EXCLUSION OR LIMITATION OF INCIDENTAL OR CONSEQUENTIAL DAMAGES. ACCORDINGLY, THE ABOVE LIMITATION MAY NOT APPLY TO YOU.

THE WARRANTY EXTENDED HEREUNDER IS IN LIEU OF ALL OTHER WARRANTIES AND ANY IMPLIED WARRANTY OF MERCHANTABILITY OR FITNESS FOR A PARTICULAR PURPOSE IS LIMITED IN ITS SCOPE AND DURATION TO THE TERMS SET FORTH HEREIN. SOME STATES DO NOT ALLOW LIMITATIONS ON HOW LONG AN IMPLIED WARRANTY LASTS. ACCORDINGLY, THE ABOVE LIMITATION MAY NOT APPLY TO YOU. This warranty gives you specific legal rights. You may also have other rights which vary from state to state. THIS WARRANTY IS VALID ONLY IN THE UNITED STATES.

Skywalker Trampolines, PO Box 574, Brigham City, UT 84302

Part No. 002018

Printed in China © 2007 Skywalker Holdings LLC

0606-STSC13BE-M