



HANDMADE IN FLORENCE



## FB/70

Technology  
meets design

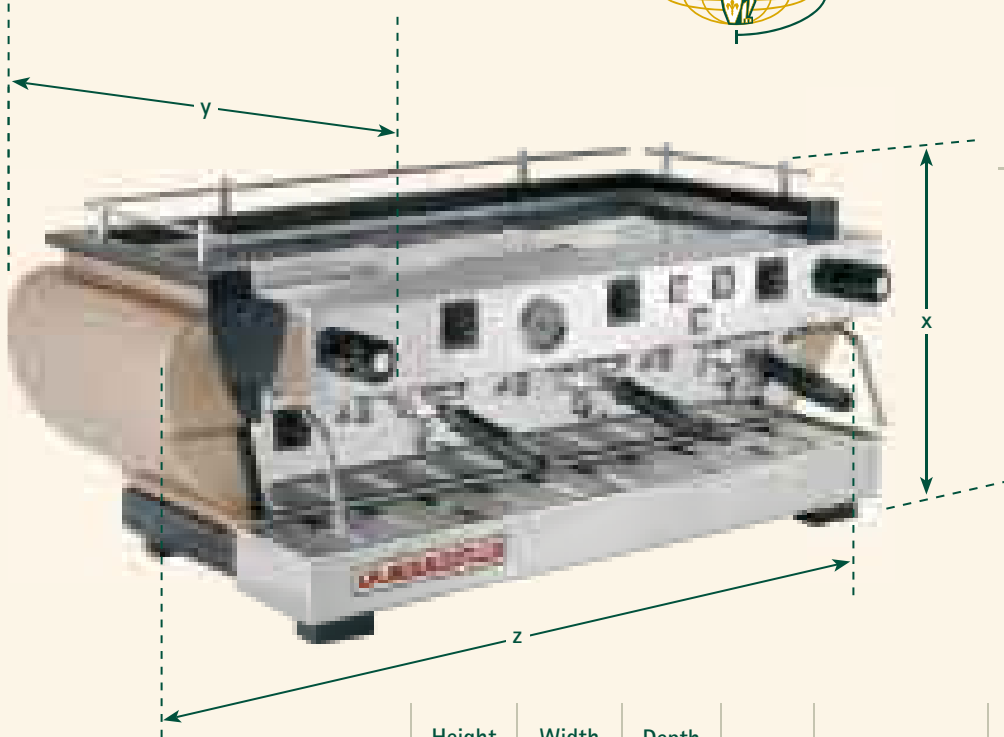
*Introduced for La Marzocco's 70th anniversary,  
this heavy duty machine has helped launch  
the finest independent coffee bars  
as well as the global leaders in specialty coffee retail.*

*The FB/70 sets the standards by which  
all other professional espresso machines are judged.*

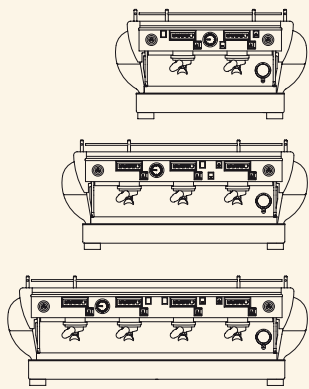
*Thanks to its saturated brewing groups  
and dual-boiler technology,  
the FB/70 performs consistently  
in the highest volume settings  
where appealing design makes  
all the difference to the ambiance.*

[www.lamarzocco.com](http://www.lamarzocco.com)

USA



### Dual Boiler Technology



	Height (x) in.	Width (z) in.	Depth (y) in.	Weight lbs	Voltage VAC	Total Wattage	Required Available Amperage	Steam boiler capacity liters	Coffee boiler capacity liters
2 groups	22	33	25.5	128	208-240 v Single Phase	4600	25 amps	7	3.4
3 groups	22	43	25.5	163	208-240 v Single Phase	6100	35 amps	11	5
4 groups	22	52	25.5	203	208-240 v Single Phase	8000	45 amps	14.5	6.8

High wattage elements not available on 200V 3phase Et 220V 3phase 4 groups models.



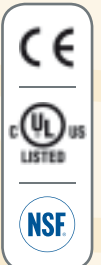
- Dual-boiler technology and saturated brewing groups
- Stainless steel boilers & brewing groups
- Omni-directional stainless steel steam wands
- Sight glass for water level monitoring of steam boiler
- Semi-automatic back-up system on all AV configurations (pls see left picture)
- Available automatic (AV) and semi-automatic (EE)
- Standard colours: red metal, black metal, blu antigua metal

Standard high legs are not shown on the above picture:  
 x= inclusive of 4 inches for high legs  
 Left picture shows the automatic (AV) configuration

#### Options

- Customizable automotive colours

Certifications available:



All specifications are subject to change without notice

LA MARZOCCO s.r.l. | Via Bolognese 68 | Pian Di San Bartolo | 50010 Firenze | Italy  
 T: +39.055.401.390 | F: +39.055.401.349 | email: info@lamarzocco.com | www.lamarzocco.com

For more information please contact:

**ESPRESSO SPECIALISTS**  
 a FRANKE Company

5601 1st Avenue South - Seattle, WA 98108 - USA  
 800.367.0235 - 206.782.2535 (fax) - www.esiespresso.com